

ACO technical catalogue

ACO Access Cover

- **UNIFACE**
- **PAVING**
- **SOLID**



Content

General introduction	3
Product information UNIFACE	
<i>ACO Access Covers UNIFACE</i>	<i>4</i>
<i>ACO Access Covers UNIFACE 1.0 GS/SS</i>	<i>5</i>
<i>ACO Access Covers UNIFACE ASSIST GS/SS</i>	<i>6</i>
<i>ACO Access Covers UNIFACE MULTI GS/SS</i>	<i>6</i>
<i>ACO Access Covers UNIFACE 2.0 GS/SS</i>	<i>7</i>
<i>ACO Access Covers UNIFACE AL</i>	<i>8</i>
<i>ACO Access Covers UNIFACE MULTI AL</i>	<i>9</i>
<i>ACO Access Covers UNIFACE AL shallow</i>	<i>9</i>
<i>ACO Access Covers UNIFACE SMART AL</i>	<i>10</i>
Product information PAVING	
<i>ACO Access Covers PAVING</i>	<i>11</i>
<i>ACO Access Cover PAVING GS 80</i>	<i>12</i>
<i>ACO Access Cover PAVING GS 120</i>	<i>13</i>
<i>ACO Access Covers PAVING ASSIST</i>	<i>14</i>
<i>ACO Access Covers PAVING MULTI</i>	<i>15</i>
Product information SOLID	
<i>ACO Access Covers SOLID</i>	<i>16</i>
<i>ACO Access Covers SOLID GS/SS</i>	<i>17</i>
<i>ACO Access Covers SOLID ASSIST GS/SS</i>	<i>18</i>
<i>ACO Access Covers SOLID MULTI GS/SS</i>	<i>18</i>
<i>ACO Access Covers SOLID AL</i>	<i>19</i>
Certification	
<i>Certificates</i>	<i>20</i>
Installation	
<i>Installation examples</i>	<i>21</i>
Product selector	
<i>Product selector</i>	<i>22</i>

ACO Access covers

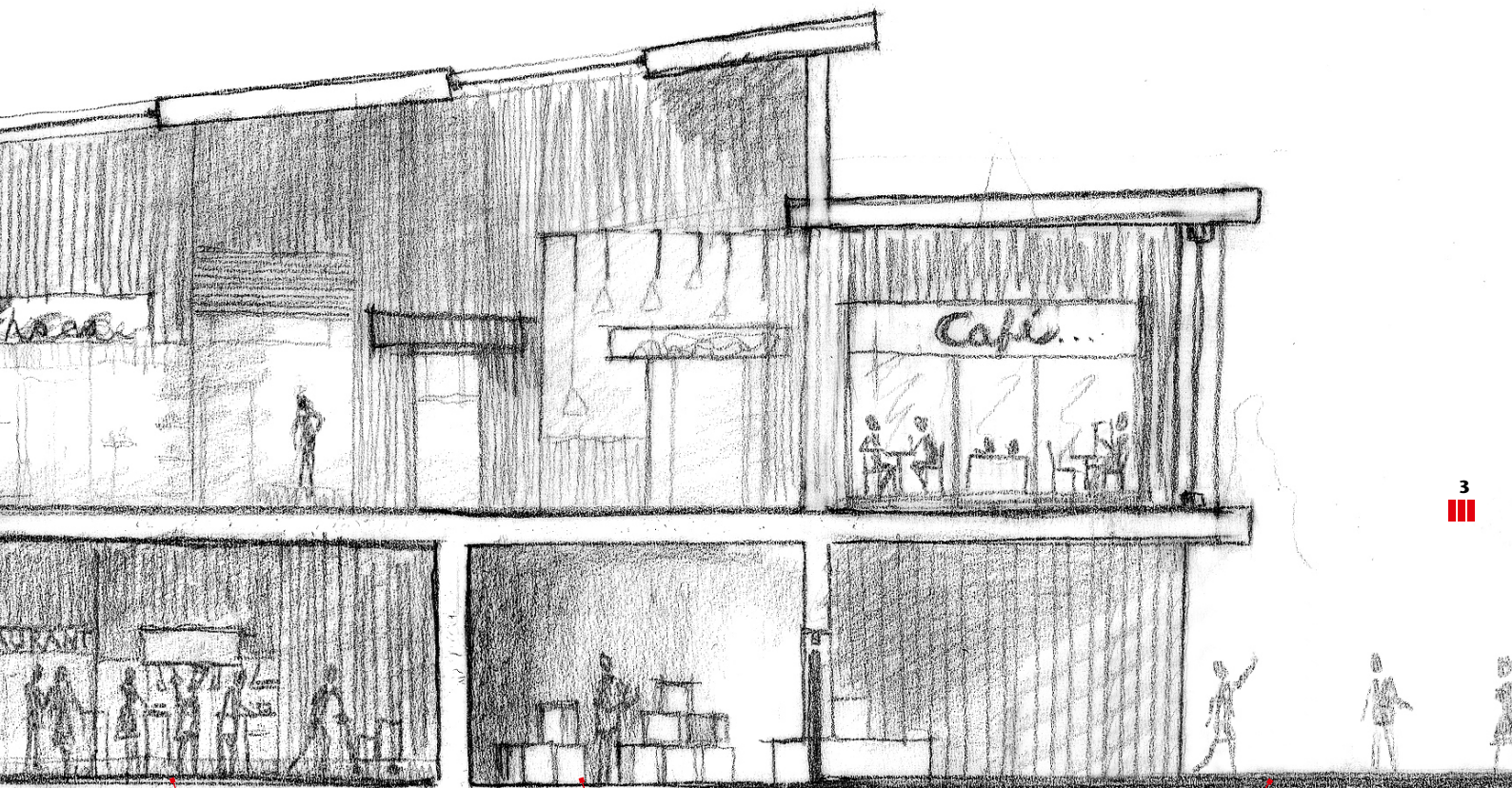
We at ACO Industries have many years of experience in designing access covers. We use our broad technical knowledge in product design, testing, manufacturing and applications to deliver maximum quality to our customers. ACO Access Covers are innovative and made of high quality materials. Our complete range of covers is fully certified according to European standards and meets all load, safety and functional requirements.

The precise manufacture of stainless steel, galvanized steel, aluminium alloys and composites guarantees high reliability and long life of our products.

- Stainless steel is suitable for application in meat, beverage, chemical or food industry.
- Covers made of galvanized steel are typical for residential buildings, as well as for production and storage buildings.
- Aluminum covers for demanding applications such as in hotels and hospitals will complete the program.

ACO Access Covers can be flexibly installed into any interior or exterior areas. Their installation and handling, as well as their maintenance and cleaning, are easy.

A wide range of standard types with many options, tailor made production and the possibility of using various floor surfaces make an ACO Access Cover look like an inconspicuous chameleon smartly merging into its background while retaining its full functionality and safety.



ACO Access Cover UNIFACE

ACO Access Cover SOLID

ACO Access Cover PAVING

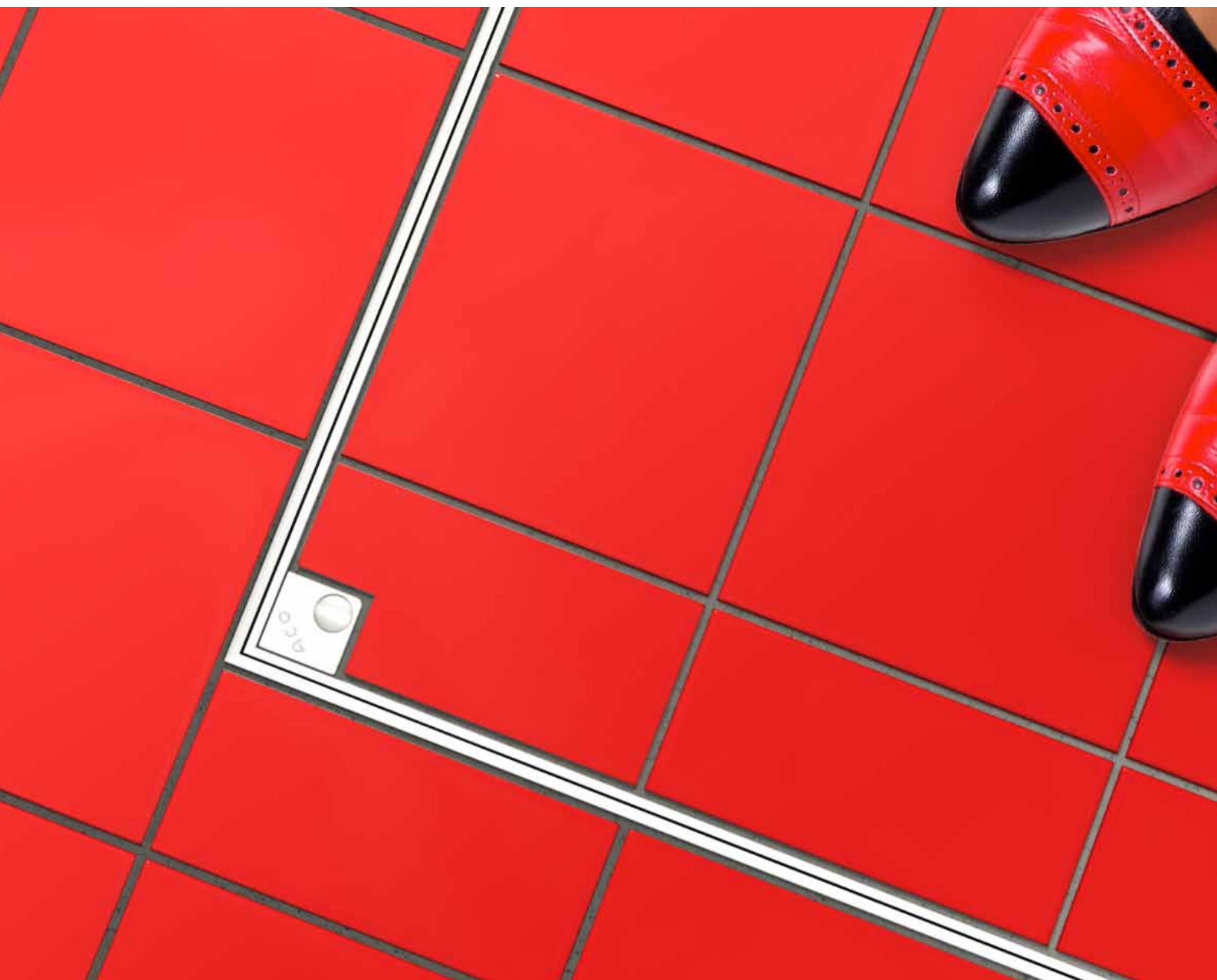


ACO Access Cover UNIFACE

Typical applications are inside buildings or in building surroundings, where high level of design is required. Recessed access covers are suitable for a thin floor surfaces in thickness up to 15 mm. The cover must be filled-up with concrete of required quality (C35/45) in order to achieve declared load capacity.

ACO product benefits

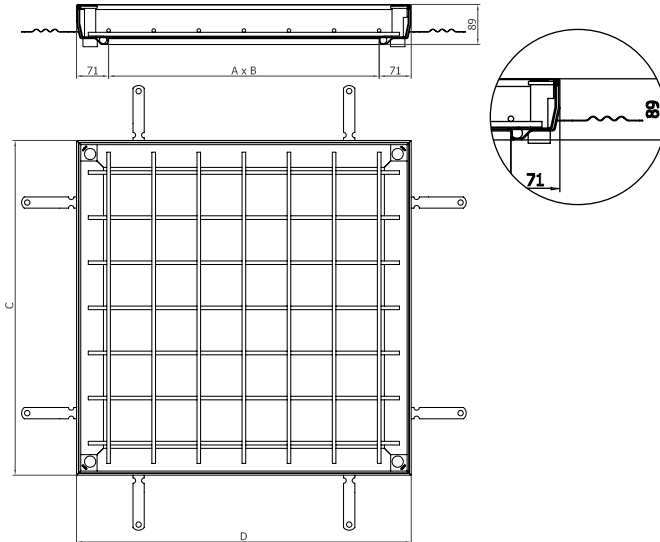
- Type tested and certified according to EN 1253-4.
- Tested with space for tiles 15 mm (competitors covers tested completely filled with concrete)
- Bolt locked – child safety
- Corrosion resistant
- Small corner parts
- Secure installation – good connection with concrete (profiled frame or anchors)
- Discreet product after installation
- Easy tool for opening and manipulation



ACO Access Cover UNIFACE 1.0 GS/SS

ACO product benefits

- Meets declared load class up to C250 for all clear openings up to 1 m
- Hot dip galvanized mild steel (≥ 60 µm of zinc) or pickle passivated stainless steel
- Rolled profiles
- Preciseness
- Design
- Thanks to unique bending on the top no additional stripes for installation necessary
- Easy opening after installation
- Less friction between frame and cover
- No sharp edges – improved safety



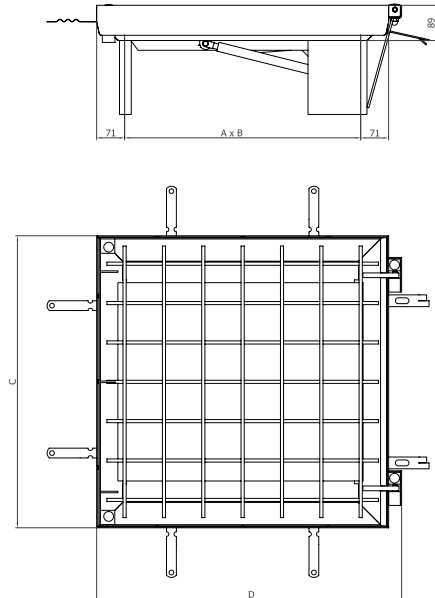
GS - hot dip galvanized mild steel (1.0037)

SS - pickle passivated stainless steel (1.4301)

Clear opening (A x B)	External dimensions (C x D)	Frame height	Cover depth	Space for final floor	Load class (EN 1253)	Weight	Part No.	Part No.
							GS (1.0037)	SS (1.4301)
[mm]	[mm]	[mm]	[mm]	[mm]		[kg]		
300 x 300	442 x 442	89	70	15	C250	12,10	406498	406489
400 x 400	542 x 542	89	70	15	C250	15,41	406499	406490
400 x 600	542 x 742	89	70	15	C250	19,04	406933	406938
450 x 450	592 x 592	89	70	15	M125	17,37	406500	406491
500 x 500	642 x 642	89	70	15	M125	19,02	406501	406492
600 x 600	742 x 742	89	70	15	M125	22,97	406502	406493
600 x 800	742 x 942	89	70	15	M125	29,37	406934	406939
600 x 1000	742 x 1142	89	70	15	M125	34,47	406935	406940
600 x 1200	742 x 1342	89	70	15	M125	37,83	414949	414947
635 x 635	777 x 777	89	70	15	L15	26,11	406485	406521
700 x 700	842 x 842	89	70	15	L15	29,43	406486	406522
800 x 800	942 x 942	89	70	15	L15	34,61	406487	406523
800 x 1000	942 x 1142	89	70	15	L15	39,46	414948	414946
1000 x 1000	1142 x 1142	89	70	15	L15	46,23	406488	406524
450 x 450	592 x 592	89	110	15	C250	17,47	406514	406507
500 x 500	642 x 642	89	110	15	C250	19,14	406515	406508
600 x 600	742 x 742	89	110	15	C250	23,18	406516	406509
600 x 800	742 x 942	89	110	15	C250	29,81	406936	406941
600 x 1000	742 x 1142	89	110	15	C250	35,02	406937	406942
635 x 635	777 x 777	89	110	15	M125	24,52	406503	406494
700 x 700	842 x 842	89	110	15	M125	29,87	406504	406495
800 x 800	942 x 942	89	110	15	M125	35,16	406505	406496
1000 x 1000	1142 x 1142	89	110	15	M125	47,03	406506	406497
635 x 635	777 x 777	89	140	15	C250	25,94	406517	406510
700 x 700	842 x 842	89	140	15	C250	31,72	406518	406511
800 x 800	942 x 942	89	140	15	C250	37,27	406519	406512
1000 x 1000	1142 x 1142	89	140	15	C250	49,62	406520	406513

ACO Access Cover UNIFACE ASSIST GS/SS

- ACO product benefits**
- Option with opening assistance
 - One man operation, hinges, gas springs (installed afterwards from safety reasons)
 - Locked by two bolts
 - Highest grade of stainless steel (1.4571) available on request



Clear opening (A x B) [mm]	External dimensions (D x C) [mm]	Frame height [mm]	Cover depth [mm]	Space for final floor [mm]	Load class (EN 1253)	Weight [kg]	Part No.	Part No.
							GS (1.0037)	SS (1.4301)
400 x 400	575 x 542	89	70	15	C250	26,50	406537	406529
500 x 500	675 x 642	89	70	15	M125	31,50	406538	406530
600 x 600	775 x 742	89	70	15	M125	38,00	406539	406531
600 x 800	775 x 942	89	70	15	M125	44,50	408713	408712
800 x 800	975 x 942	89	70	15	L15	54,50	406540	406532
800 x 1000	975 x 1142	89	70	15	L15	58,40	414951	414950
1000 x 1000	1175 x 1142	89	70	15	L15	68,00	406541	406533
500 x 500	675 x 642	89	110	15	C250	31,50	406542	406534

ACO Access Cover UNIFACE MULTI GS/SS

- ACO product benefits**
- Option for oversize multipart solutions
 - Removable support beams make it possible to use the whole clear opening of the cover
 - Trouble-free removal and assembly
 - Individually designed

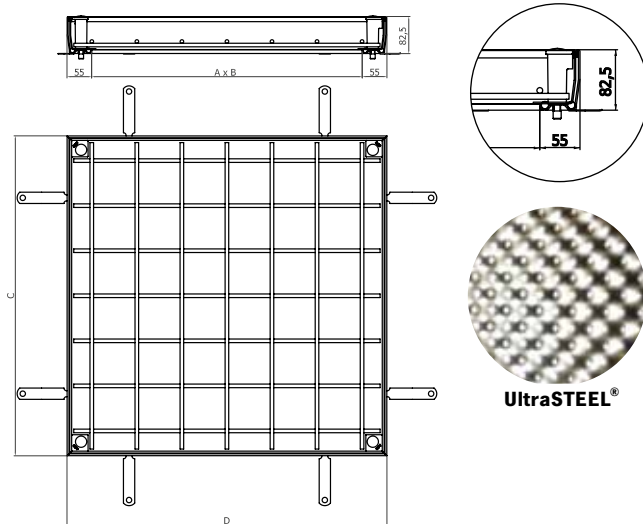


NEW

ACO Access Cover UNIFACE 2.0 GS/SS

ACO product benefits

- **Radical innovation of the UNIFACE 1.0**
- Rolled profiles for galvanized version of the cover are made from innovative material **UltraSTEEL®**. It helps significantly reduce weight of the cover while maintaining the strength, stability and stiffness of the product.
- Rolled profiles for stainless steel version are made from conventional steel sheet in thickness 2 mm.
- Covers are double sealed for excellent water- and odour-tightness.



GS - hot dip galvanized mild steel (1.0037)

SS - pickle passivated stainless steel (1.4301)

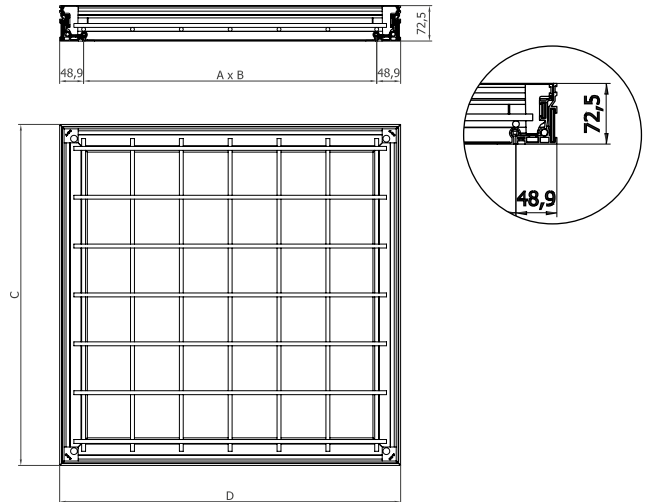
Clear opening (A x B) [mm]	External dimensions (D x C) [mm]	Frame height [mm]	Cover depth [mm]	Space for final floor [mm]	Load class (EN 1253)	Weight [kg]	Part No.	
							GS (1.0037)	SS (1.4301)
300 x 300	410 x 410	82,5	70	15	C250	9,26	415858	415887
400 x 400	510 x 510	82,5	70	15	C250	11,89	415859	415888
400 x 600	510 x 710	82,5	70	15	C250	14,65	415860	415889
450 x 450	560 x 560	82,5	70	15	M125	13,55	415861	415890
500 x 500	610 x 610	82,5	70	15	M125	14,79	415862	415891
600 x 600	710 x 710	82,5	70	15	M125	18,05	415863	415892
600 x 800	710 x 910	82,5	70	15	M125	23,66	415864	415893
600 x 1000	710 x 1110	82,5	70	15	M125	27,56	415865	415894
600 x 1200	710 x 1310	82,5	70	15	M125	31,47	415866	415895
635 x 635	745 x 745	82,5	70	15	L15	21,50	415867	415896
700 x 700	810 x 810	82,5	70	15	L15	23,84	415868	415897
800 x 800	910 x 910	82,5	70	15	L15	28,40	415869	415898
800 x 1000	910 x 1110	82,5	70	15	L15	33,09	415870	415899
1000 x 1000	1110 x 1110	82,5	70	15	L15	38,58	415871	415900
450 x 450	560 x 560	82,5	110	15	C250	13,71	415872	415901
500 x 500	610 x 610	82,5	110	15	C250	14,96	415873	415902
600 x 600	710 x 710	82,5	110	15	C250	18,31	415874	415903
600 x 800	710 x 910	82,5	110	15	C250	24,31	415875	415904
600 x 1000	710 x 1110	82,5	110	15	C250	28,81	415876	415905
635 x 635	745 x 745	82,5	110	15	M125	21,34	415877	415906
700 x 700	810 x 810	82,5	110	15	M125	24,33	415878	415907
800 x 800	910 x 910	82,5	110	15	M125	29,06	415879	415908
800 x 1000	910 x 1110	82,5	110	15	M125	30,90	415880	415909
1000 x 1000	1110 x 1110	82,5	110	15	M125	39,57	415881	415910
635 x 635	745 x 745	82,5	140	15	C250	22,35	415882	415911
700 x 700	810 x 810	82,5	140	15	C250	25,26	415883	415912
800 x 800	910 x 910	82,5	140	15	C250	30,06	415884	415913
800 x 1000	910 x 1110	82,5	140	15	C250	26,98	415885	415914
1000 x 1000	1110 x 1110	82,5	140	15	C250	40,62	415886	415915

More information about UltraSTEEL® at www.hadleygroup.com

ACO Access Cover UNIFACE AL

ACO product benefits

- Excellent optic aesthetics
- Meets declared load class up to M125
- Corrosion resistant aluminium alloy
- Precision thanks to crimping (mechanical fixing)
- 2+1 sealing – water/odour tight+ sand/ dust tight
- Easy opening – prevents blockage
- Easy installation – positioning of the cover in frame
- Tiny tolerances, perfect fit
- Very small corner parts (30x30 mm)
- Brass nut to prevent blockage
- Reinforcement in optimal position

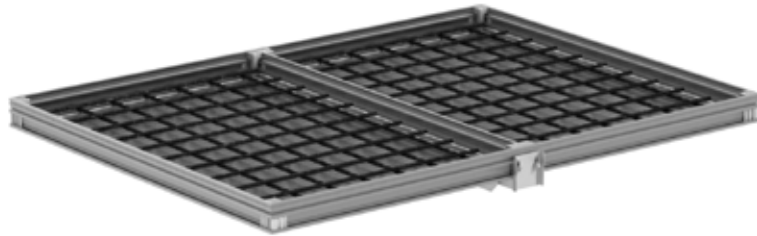


Clear opening (A x B) [mm]	External dimensions (C x D) [mm]	Frame height [mm]	Cover depth [mm]	Space for final floor [mm]	Load class (EN 1253)	Weight [kg]	Part No.
200 x 200	298 x 298	72,5	70	0 / 15	M125 / M125	3,92	406881
300 x 300	398 x 398	72,5	70	0 / 15	M125 / 100 kN	5,75	405340
400 x 400	498 x 498	72,5	70	0 / 15	M125 / 100 kN	7,07	405341
400 x 600	498 x 698	72,5	70	0 / 15	M125 / 100 kN	8,73	405344
450 x 450	548 x 548	72,5	70	0 / 15	M125 / 50 kN	7,98	405342
450 x 600	548 x 698	72,5	70	0 / 15	M125 / 50 kN	9,22	406622
500 x 500	598 x 598	72,5	70	0 / 15	M125 / 50 kN	9,57	405343
600 x 600	698 x 698	72,5	70	0 / 15	M125 / 50 kN	11,43	405345
600 x 750	698 x 848	72,5	70	0 / 15	M125 / 50 kN	12,60	406623
600 x 800	698 x 898	72,5	70	0 / 15	M125 / 50 kN	12,97	405346
600 x 900	698 x 998	72,5	70	0 / 15	M125 / 50 kN	14,88	406626
600 x 1000	698 x 1098	72,5	70	0 / 15	M125 / 50 kN	15,86	405826
600 x 1200	698 x 1298	72,5	70	0 / 15	M125 / 50 kN	18,43	414953
635 x 635	733 x 733	72,5	70	0 / 15	100 kN / L15	12,06	414952
675 x 675	773 x 773	72,5	70	0 / 15	100 kN / L15	12,60	406624
700 x 700	798 x 798	72,5	70	0 / 15	100 kN / L15	13,08	405347
750 x 750	848 x 848	72,5	70	0 / 15	100 kN / L15	14,11	406625
800 x 800	898 x 898	72,5	70	0 / 15	100 kN / L15	16,14	405348
800 x 1000	898 x 1098	72,5	70	0 / 15	100 kN / L15	19,59	405349
900 x 900	998 x 998	72,5	70	0 / 15	50 kN / L15	19,87	406627
1000 x 1000	1098 x 1098	72,5	70	0 / 15	50 kN / L15	22,90	405350

ACO Access Cover UNIFACE MULTI AL

ACO product benefits

- Option for oversize multipart solutions
- Removable support beams make it possible to use the whole clear opening of the cover
- Trouble-free removal and assembly
- Maximum clear width 1000mm
- Maximum load class L15
- Individually designed

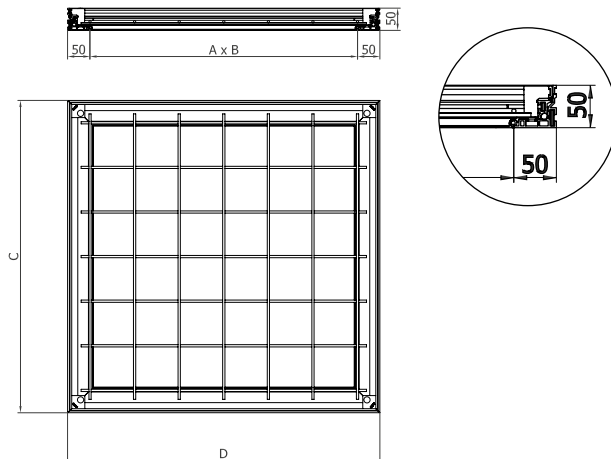


NEW

ACO Access Cover UNIFACE AL shallow

ACO product benefits

- For an application in floor screed (50 mm)
- No impact on structure slab
- Weight of installed cover reduced to 2/3 compare to standard AL cover
- Load capacity L15 for cover fully filled with concrete
- Load capacity K3 for cover with tiles in thickness up to 15 mm

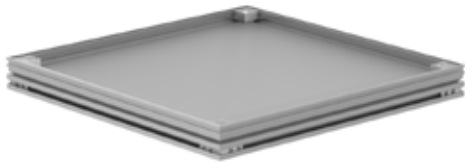
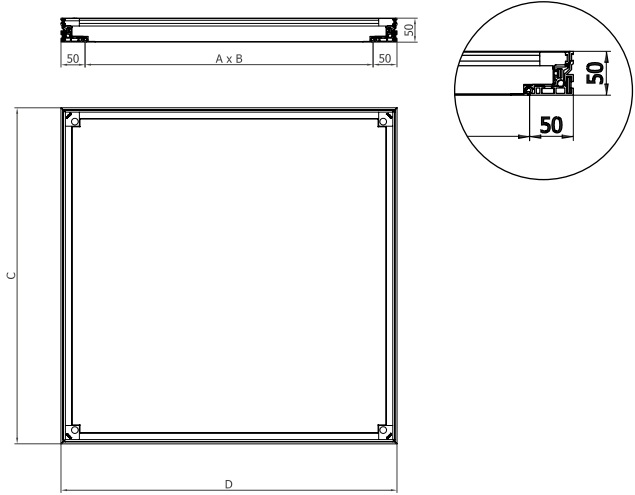


Clear opening (A x B) [mm]	External dimensions (C x D) [mm]	Frame height [mm]	Cover depth [mm]	Space for final floor [mm]	Load class (EN 1253)	Weight [kg]	Part No.
200 x 200	300 x 300	50	46,5	0 / 15	L15 / K3	2,90	415140
300 x 300	400 x 400	50	46,5	0 / 15	L15 / K3	4,21	415141
400 x 400	500 x 500	50	46,5	0 / 15	L15 / K3	5,39	415142
400 x 600	500 x 700	50	46,5	0 / 15	L15 / K3	6,59	415145
450 x 450	550 x 550	50	46,5	0 / 15	L15 / K3	5,84	415143
500 x 500	600 x 600	50	46,5	0 / 15	L15 / K3	6,86	415144
600 x 600	700 x 700	50	46,5	0 / 15	L15 / K3	8,41	415146
600 x 800	700 x 900	50	46,5	0 / 15	L15 / K3	9,63	415149
600 x 900	700 x 1000	50	46,5	0 / 15	L15 / K3	10,65	415151
600 x 1000	700 x 1100	50	46,5	0 / 15	L15 / K3	11,40	415153
600 x 1200	700 x 1300	50	46,5	0 / 15	L15 / K3	12,77	415156
635 x 635	735 x 735	50	46,5	0 / 15	L15 / K3	10,80	415147
700 x 700	800 x 800	50	46,5	0 / 15	L15 / K3	11,82	415148
800 x 800	900 x 900	50	46,5	0 / 15	L15 / K3	15,13	415150
800 x 1000	900 x 1100	50	46,5	0 / 15	L15 / K3	18,02	415154
900 x 900	1000 x 1000	50	46,5	0 / 15	L15 / K3	17,94	415152
1000 x 1000	1100 x 1100	50	46,5	0 / 15	L15 / K3	20,97	415155

NEW

ACO Access Cover UNIFACE SMART AL

- ACO product benefits**
- Lightweight cover with structural composite infill (no concrete necessary)
 - Load capacity L15 with tiles in thickness up to 15 mm
 - Weight of installed cover reduced to 1/2 compare to shallow AL cover
 - Easy manipulation
 - One man operation
 - Secure and time saving installation
 - No risk – load capacity always guaranteed



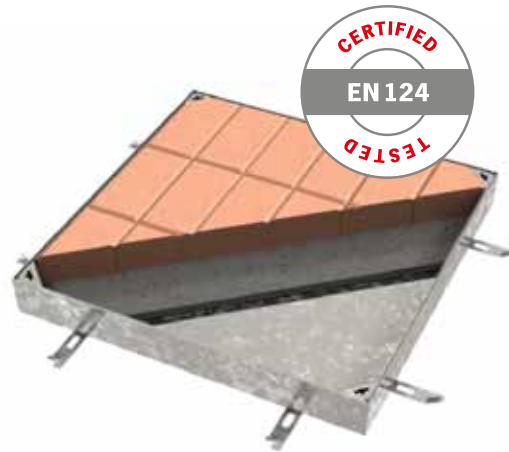
Clear opening (A x B) [mm]	External dimensions (C x D) [mm]	Frame height [mm]	Cover depth [mm]	Space for final floor [mm]	Load class (EN 1253)	Weight [kg]	Part No.
200 x 200	300 x 300	50	-	15	L15	3,70	415157
300 x 300	400 x 400	50	-	15	L15	5,68	415158
400 x 400	500 x 500	50	-	15	L15	7,77	415159
500 x 500	600 x 600	50	-	15	L15	10,27	415160
600 x 600	700 x 700	50	-	15	L15	13,16	415161

ACO Access Cover PAVING

Typically specified for use outside buildings, for pedestrian areas, driveways and car parks. Recessed access covers for a pavement, natural stone or bitumen infill in height up to 120 mm.

ACO product benefits

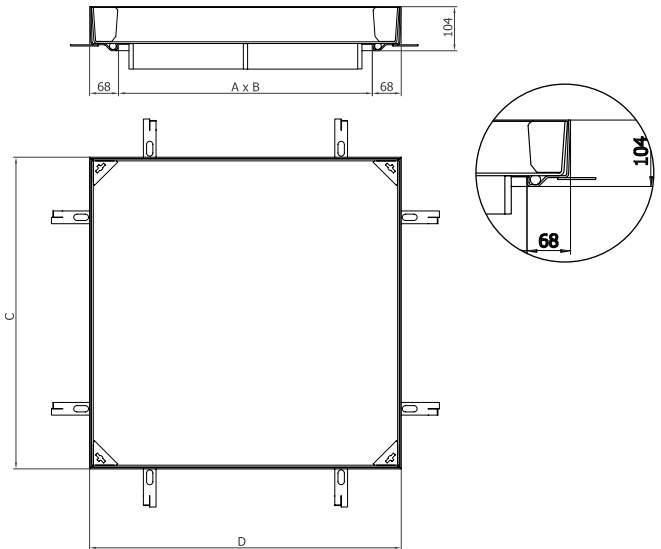
- Strong supports are welded underneath of the cover
- Load capacity up to load class C250 for all clear openings up to 1 m
- No concrete or any other additional structural infill necessary



ACO Access Cover PAVING GS 80

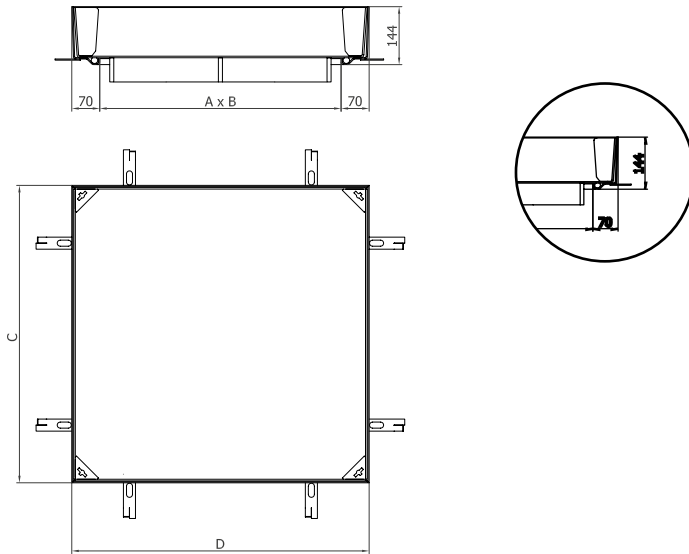
ACO product benefits

- Type tested and certified according to EN 124
- Sealed for water and odour tightness
- Corrosion resistant – hot dip galvanized mild steel
- Secure and time saving installation
- No risk – load capacity always guaranteed
- 80/120 tray depth available
- Secured in the frame by its own weight - child safety
- Stainless steel version available on request (1.4301 or 1.4571)



Clear opening (A x B) [mm]	External dimensions (C x D) [mm]	Frame height [mm]	Cover depth [mm]	Load class (EN 1253)	Weight [kg]	Part No.
300 x 300	436 x 436	104	80	A15	16,40	407102
400 x 400	536 x 536	104	80	A15	21,60	407103
400 x 600	536 x 736	104	80	A15	26,90	409858
500 x 500	636 x 636	104	80	A15	27,40	407104
600 x 600	736 x 736	104	80	A15	33,40	407105
600 x 1000	736 x 1136	104	80	A15	47,85	409859
700 x 700	836 x 836	104	80	A15	42,20	409984
800 x 800	936 x 936	104	80	A15	49,45	409985
900 x 900	1036 x 1036	104	80	A15	57,30	409986
1000 x 1000	1136 x 1136	104	80	A15	65,55	409987
300 x 300	436 x 436	104	80	B125	22,00	406569
400 x 400	536 x 536	104	80	B125	30,90	406570
400 x 600	536 x 736	104	80	B125	37,90	409860
500 x 500	636 x 636	104	80	B125	38,25	406571
600 x 600	736 x 736	104	80	B125	45,90	406572
600 x 1000	736 x 1136	104	80	B125	73,80	409861
700 x 700	836 x 836	104	80	B125	65,60	406573
800 x 800	936 x 936	104	80	B125	75,15	406574
900 x 900	1036 x 1036	104	80	B125	85,30	406575
1000 x 1000	1136 x 1136	104	80	B125	96,15	406576
300 x 300	436 x 436	104	80	C250	28,10	406577
400 x 400	536 x 536	104	80	C250	45,70	406578
400 x 600	536 x 736	104	80	C250	57,60	409862
500 x 500	636 x 636	104	80	C250	60,20	406579
600 x 600	736 x 736	104	80	C250	71,30	406580
600 x 1000	736 x 1136	104	80	C250	105,10	409863
700 x 700	836 x 836	104	80	C250	93,50	406581
800 x 800	936 x 936	104	80	C250	106,80	406582
900 x 900	1036 x 1036	104	80	C250	121,00	406583
1000 x 1000	1136 x 1136	104	80	C250	135,90	406584

ACO Access Cover PAVING GS 120

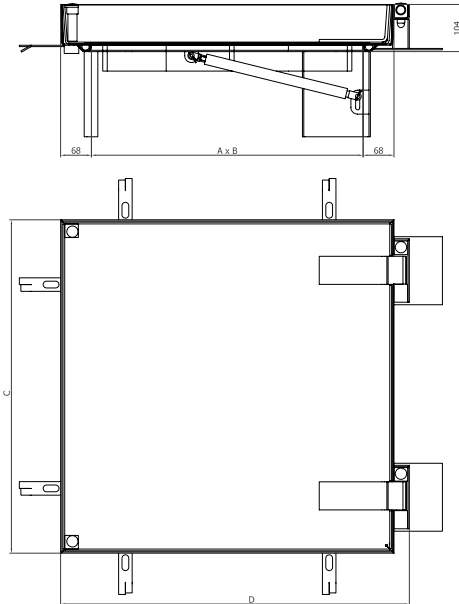


Clear opening (A x B) [mm]	External dimensions (C x D) [mm]	Frame height [mm]	Cover depth [mm]	Load class (EN 1253)	Weight [kg]	Part No.
300 x 300	439 x 439	144	120	B125	26,00	414487
400 x 400	539 x 539	144	120	B125	35,70	414488
400 x 600	539 x 739	144	120	B125	43,60	414538
500 x 500	639 x 639	144	120	B125	44,00	414489
600 x 600	739 x 739	144	120	B125	52,40	414490
600 x 1000	739 x 1139	144	120	B125	82,00	414539
700 x 700	839 x 839	144	120	B125	73,00	414491
800 x 800	939 x 939	144	120	B125	83,50	414492
900 x 900	1039 x 1039	144	120	B125	94,20	414493
1000 x 1000	1139 x 1139	144	120	B125	105,90	414494
300 x 300	439 x 439	144	120	C250	32,50	414495
400 x 400	539 x 539	144	120	C250	51,10	414496
400 x 600	539 x 739	144	120	C250	64,10	414540
500 x 500	639 x 639	144	120	C250	66,50	414497
600 x 600	739 x 739	144	120	C250	78,60	414498
600 x 1000	739 x 1139	144	120	C250	114,50	414541
700 x 700	839 x 839	144	120	C250	101,90	414499
800 x 800	939 x 939	144	120	C250	116,30	414500
900 x 900	1039 x 1039	144	120	C250	131,00	414501
1000 x 1000	1139 x 1139	144	120	C250	147,00	414502

NEW

ACO Access Cover PAVING ASSIST GS

- ACO product benefits**
- Option with opening assistance
 - One man operation, hinges, gas springs (installed afterwards from safety reasons)
 - Locked by two bolts
 - Stainless steel version available on request (1.4301 or 1.4571)



Clear opening (A x B) [mm]	External dimensions (C x D) [mm]	Frame height [mm]	Cover depth [mm]	Load class (EN 1253)	Weight [kg]	Part No.
400 x 400	536 x 570	104	80	A15	29,40	414504
500 x 500	636 x 670	104	80	A15	34,40	414505
600 x 600	736 x 770	104	80	A15	40,90	414506
700 x 700	836 x 870	104	80	A15	48,90	414507
800 x 800	936 x 970	104	80	A15	55,60	414508
900 x 900	1036 x 1070	104	80	A15	64,60	414509
1000 x 1000	1136 x 1170	104	80	A15	74,10	414510
400 x 400	536 x 570	104	80	B125	39,10	414512
500 x 500	636 x 670	104	80	B125	46,00	414513
600 x 600	736 x 770	104	80	B125	54,50	414514
700 x 700	836 x 870	104	80	B125	73,80	414515
800 x 800	936 x 970	104	80	B125	85,10	414516
900 x 900	1036 x 1070	104	80	B125	94,00	414517
1000 x 1000	1136 x 1170	104	80	B125	108,00	414518
400 x 400	536 x 570	104	80	C250	52,30	414520
500 x 500	636 x 670	104	80	C250	66,80	414521
600 x 600	736 x 770	104	80	C250	78,70	414522
700 x 700	836 x 870	104	80	C250	100,60	414523
800 x 800	936 x 970	104	80	C250	115,70	414524
900 x 900	1036 x 1070	104	80	C250	129,80	414525
1000 x 1000	1136 x 1170	104	80	C250	146,40	414526

NEW

ACO Access Cover PAVING MULTI

ACO product benefits

- Option for oversize multipart solutions
- Removable support beams make it possible to use the whole clear opening of the cover
- Trouble-free removal and assembly
- Covers are not watertight
- Individually designed



ACO Access Cover SOLID

Suitable for light industrial applications, where simple and lightweight covers are required. Surface of the cover is formed by anti slip tread “checker” plate . Optimized supports are welded underneath of the cover which guarantee declared load capacity.

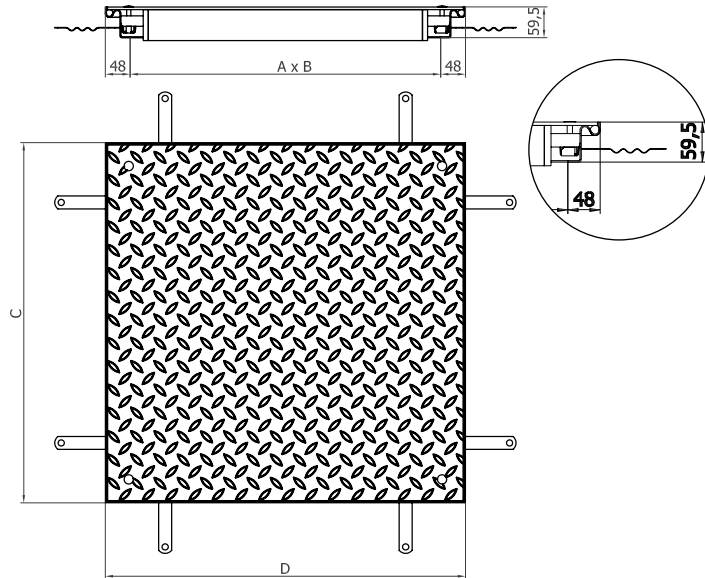
ACO product benefits
■ No concrete or any other additional structural infill necessary
■ Type tested and certified according to EN 124
■ Sealed for water and odourtightness
■ Bolt locked – child safety
■ Corrosion resistant
■ Secure and time saving installation
■ No risk – load capacity always guaranteed
■ Durable



ACO Access Cover SOLID GS/SS

ACO product benefits

- Load capacity up to load class B125 for all clear openings up to 1 m
- Hot dip galvanized mild steel ($\geq 60 \mu\text{m}$ of zinc) or pickle passivated stainless steel
- Cover weight ca 30 kg (600x600, B125)
- Frame height 59,5 mm
- Highest grade of stainless steel (1.4571) available on request

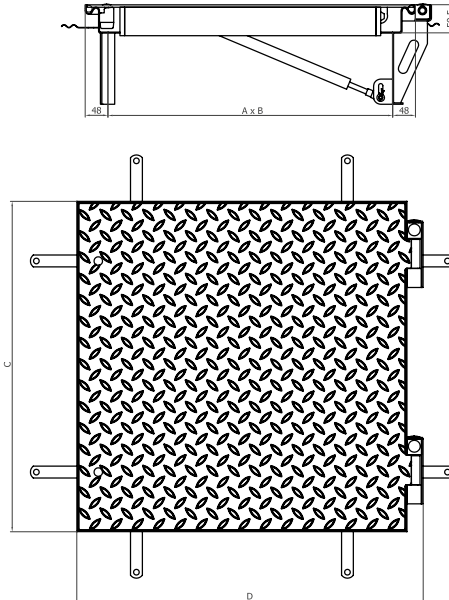


Clear opening (A x B) [mm]	External dimensions (C x D) [mm]	Frame height [mm]	Load class (EN 1253)	Weight [kg]	Part No.	
					GS (1.0037)	SS (1.4301)
300 x 300	396 x 396	59,5	A15	11,20	403868	403860
400 x 600	496 x 696	59,5	A15	20,60	403871	403863
450 x 450	546 x 546	59,5	A15	18,70	403869	403861
500 x 500	596 x 596	59,5	A15	20,80	403870	403862
600 x 600	696 x 696	59,5	A15	26,90	403912	403909
600 x 800	696 x 896	59,5	A15	36,10	403873	403865
600 x 1000	696 x 1096	59,5	A15	42,80	403874	403866
635 x 635	731 x 731	59,5	A15	32,00	403872	403864
800 x 800	896 x 896	59,5	A15	44,30	403913	403910
800 x 1000	896 x 1096	59,5	A15	52,80	403875	403867
1000 x 1000	1096 x 1096	59,5	A15	62,40	403914	403911
300 x 300	396 x 396	59,5	B125	14,90	403898	403887
400 x 600	496 x 696	59,5	B125	28,20	403901	403890
450 x 450	546 x 546	59,5	B125	25,50	403899	403888
500 x 500	596 x 596	59,5	B125	28,50	403900	403889
600 x 600	696 x 696	59,5	B125	35,50	403902	403891
600 x 800	696 x 896	59,5	B125	50,20	403904	403893
600 x 1000	696 x 1096	59,5	B125	57,90	403906	403895
635 x 635	731 x 731	59,5	B125	45,60	403903	403892
800 x 800	896 x 896	59,5	B125	64,50	403905	403894
800 x 1000	896 x 1096	59,5	B125	73,70	403907	403896
1000 x 1000	1096 x 1096	59,5	B125	84,60	403908	403897

NEW

ACO Access Cover SOLID ASSIST GS/SS

- ACO product benefits**
- Option with opening assistance
 - One man operation, hinges.
 - Ready to use - gas springs already installed
 - Locked by two bolts
 - Highest grade of stainless steel (1.4571) available on request



Clear opening (A x B) [mm]	External dimensions (C x D) [mm]	Frame height [mm]	Load class (EN 1253)	Weight [kg]	Part No.	
					GS (1.0037)	SS (1.4301)
500 x 500	630 x 596	59,5	A15	25,50	415205	415217
600 x 600	730 x 696	59,5	A15	31,70	415206	415218
700 x 700	830 x 796	59,5	A15	44,50	415207	415219
800 x 800	930 x 896	59,5	A15	49,40	415208	415220
900 x 900	1030 x 996	59,5	A15	56,10	415209	415221
1000 x 1000	1130 x 1096	59,5	A15	69	415210	415222
500 x 500	630 x 596	59,5	B125	32,80	415211	415223
600 x 600	730 x 696	59,5	B125	39,60	415212	415224
700 x 700	830 x 796	59,5	B125	53,40	415213	415225
800 x 800	930 x 896	59,5	B125	68,50	415214	415226
900 x 900	1030 x 996	59,5	B125	76,60	415215	415227
1000 x 1000	1130 x 1096	59,5	B125	90,60	415216	415228

ACO Access Cover SOLID MULTI GS/SS

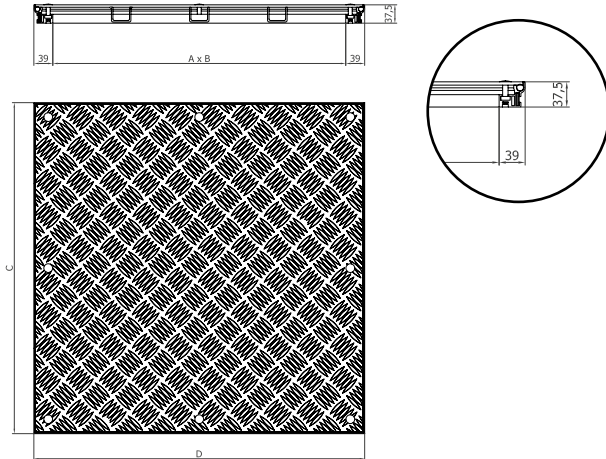
- ACO product benefits**
- Option for oversize multipart solutions
 - Removable support beams make it possible to use the whole clear opening of the cover
 - Trouble-free removal and assembly
 - Individually designed



ACO Access Cover SOLID AL

ACO product benefits

- Load capacity up to load class A15 for all clear openings up to 1 m
- Highest grade of aluminium alloy for “checker” plate
- Excellent corrosion resistance
- Crimped frame
- Lightest solution - cover weight ca 10 kg (600×600, A15)
- Frame height 37,5 mm only



Clear opening (A x B) [mm]	External dimensions (C x D) [mm]	Frame height [mm]	Load class (EN 1253)	Weight [kg]	Part No.
200 x 200	278 x 278	37,5	K3	2,75	415200
300 x 300	378 x 378	37,5	K3	4,01	415201
400 x 400	478 x 478	37,5	K3	5,54	415202
500 x 500	578 x 578	37,5	K3	7,65	415203
600 x 600	678 x 678	37,5	K3	9,75	415204
200 x 200	278 x 278	37,5	A15	3,05	408981
300 x 300	378 x 378	37,5	A15	4,45	408982
400 x 400	478 x 478	37,5	A15	6,15	408983
400 x 600	478 x 678	37,5	A15	8,20	408986
450 x 450	528 x 528	37,5	A15	7,05	408984
500 x 500	578 x 578	37,5	A15	8,35	408985
600 x 600	678 x 678	37,5	A15	11,05	408987
600 x 800	678 x 878	37,5	A15	13,70	408989
600 x 1000	678 x 1078	37,5	A15	15,90	408992
700 x 700	778 x 778	37,5	A15	13,60	408988
800 x 800	878 x 878	37,5	A15	17,00	408990
800 x 1000	878 x 1078	37,5	A15	19,75	408993
900 x 900	978 x 978	37,5	A15	20,15	408991
1000 x 1000	1078 x 1078	37,5	A15	24,65	408994

Special antislip surface

It is possible to apply special long-life, durable antislip surface on all SOLID GS/SS covers. Plastic based coating has excellent antislip features. Material is available in several colours (e.g. black, gray, yellow, red, green, beige or blue).



All our products are fully certified

Safety and functionality is our priority in the development of access covers. During the development we can rely on many strength calculations, tests and real applications that we have implemented in recent years.

We aim to be on the top of technological development and innovation. We are also active in an amendment process of European standards related to access covers.

ACO Access Covers are type tested and certified according to following standards

EN 1253-4

Gullies for buildings – Access covers

- ACO Access Covers UNIFACE
- Product certificate No. 060-035234.

EN 124

Gully tops and manhole tops for vehicular and pedestrian areas

- ACO Access Covers PAVING,
- ACO Access Covers SOLID
- Product certificate No. 204/5Ca/2011/060-035130.

ACO Industries k.s. in Přebyslav is using a quality management system certified according to EN ISO 9001. The company has been certified since 1996.

Factory production control, employees qualification and technical equipment are certified according to EN 1090: Execution of steel structures and aluminium structures - Part 1: Requirements for conformity assessment of structural components.

Customers can rely on key parameters of ACO Access Covers:

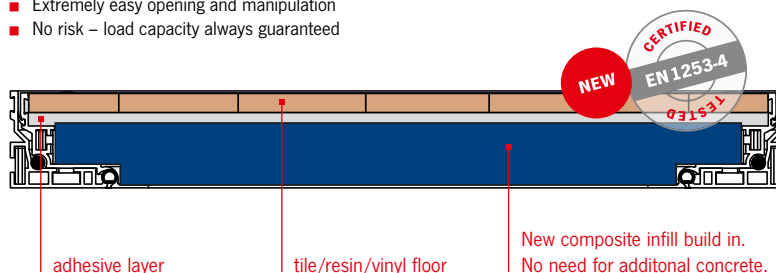
- Safety
- Declared load capacity
- Tightness
- Functionality

ACO Access Covers – Innovation you can trust

Certification

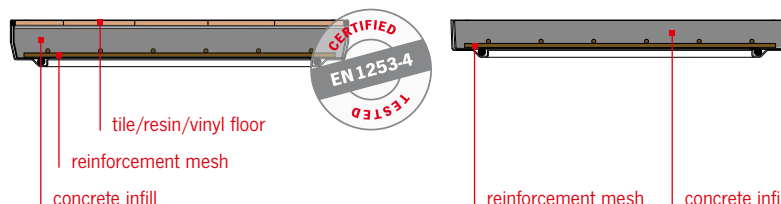
ACO Access Cover UNIFACE SMART AL

- Lightweight cover with structural composite infill (no concrete necessary)
- Load capacity L15 with tiles in thickness up to 15 mm
- Extremely easy opening and manipulation
- No risk – load capacity always guaranteed



ACO Access Cover UNIFACE GS-SS

- Recessed access covers suitable for a thin floor surfaces in thickness up to 15 mm
- The cover must be filled-up with concrete of required quality in order to achieve declared load capacity
- Declared load capacity tested and guaranteed with space for tiles 15 mm
- Type tested and certified according to EN 1253-4 – Product certificate No. 060-035234

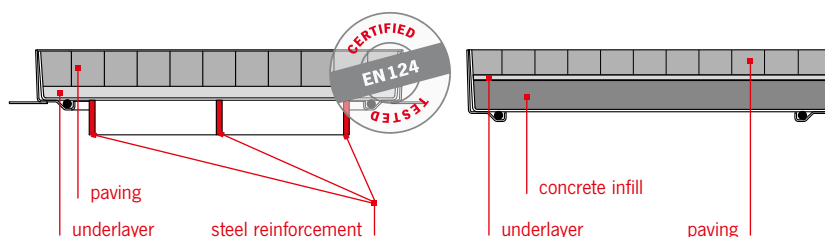


Common solution of access cover

- Test load declared only for cover fully filled with concrete
- No information or guarantee for cover with tiles
- Example for a recessed cover with a clear opening 600×600 mm, declared test load 125 kN - if the concrete layer is reduced about 15 mm then the real test load is reduced to 75 kN only!

ACO Access Cover PAVING

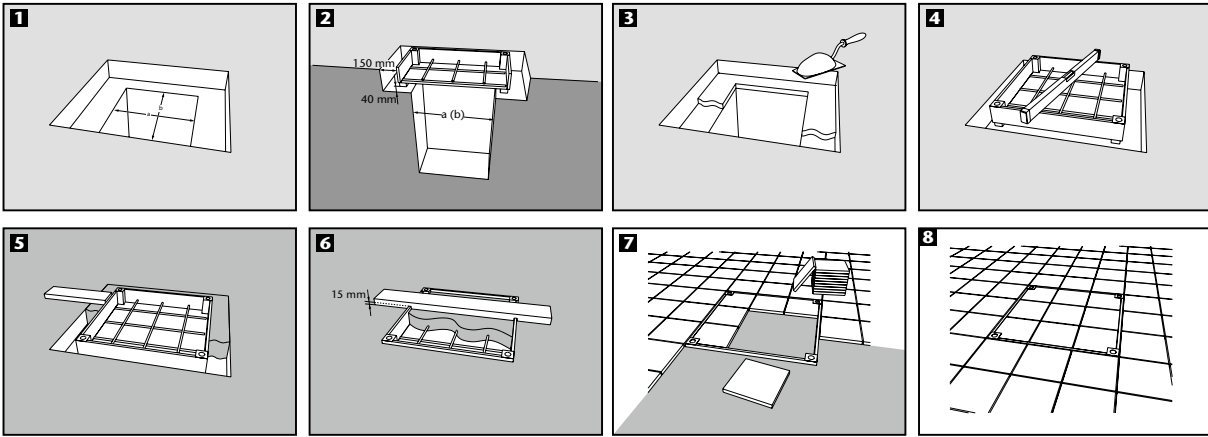
- Strong optimized supports are welded underneath of the cover
- Space for paving blocks up to 110 mm
- Load capacity up to load class C250 for all clear openings up to 1 m
- No concrete or any other additional structural infill necessary
- Type tested and certified according to EN 124 – Product certificate No. 204/5Ca/2011/060-035130035234



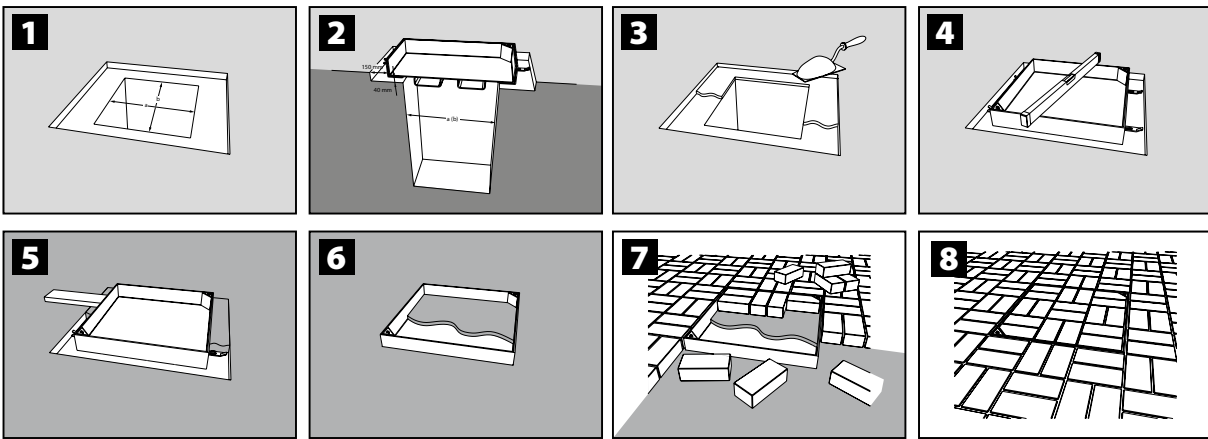
Common solution available on the market

- Additional structural concrete infill necessary
- Less space for paving infill
- Longer installation time

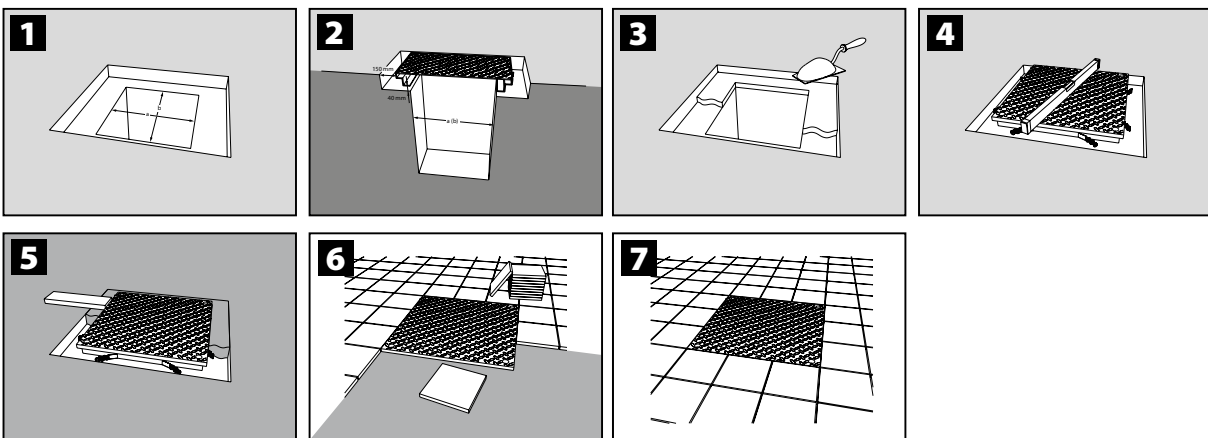
ACO Access Cover UNIFACE



ACO Access Cover PAVING

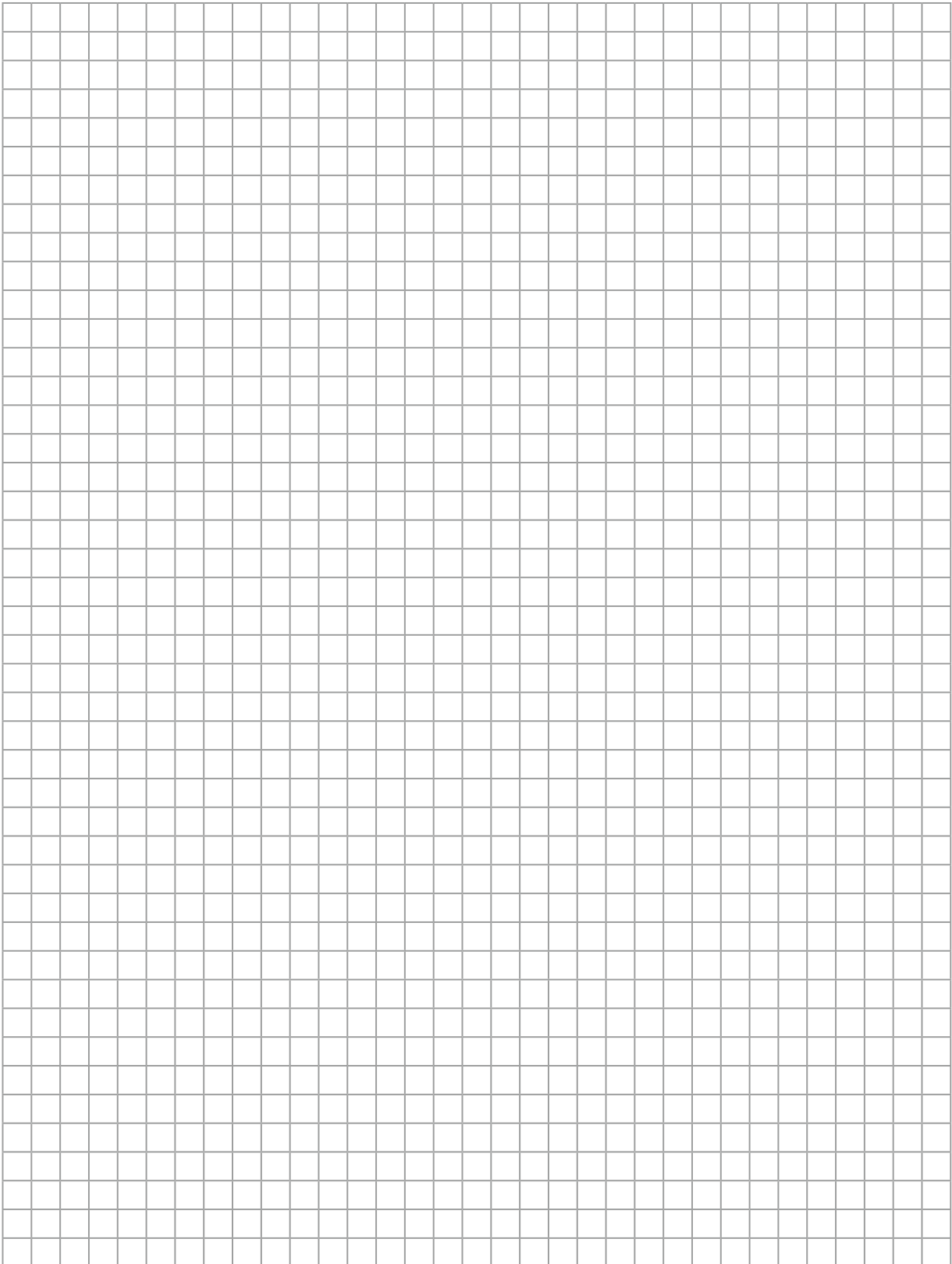


ACO Access Cover SOLID



Detailed installation instructions are part of delivery of each cover.

Notes



ACO Industries k.s.,

Havlíčková 260
582 22 Příbyslav
Czech Republic

www.aco.com

The ACO Group – a strong family you can build on.

All reasonable care has been taken in compiling the information in this document. All recommendations and suggestions on the use of ACO products are made without guarantee since the conditions of use are beyond the control of the Company. It is the customer's responsibility to ensure that each product is fit for its intended purpose and that the actual conditions of use are suitable. This brochure and any advice is provided free of charge and accordingly on terms that no liability (including liability for negligence) will attach the Company or its servants or agents arising out of or in connection with or in relation to this brochure or any such advice. Any goods supplied by the Company will be supplied solely upon its standard conditions of sale, copies of which are available on request. The Company's policy of continuous product development and improvement renders specifications liable to modification. Information provided in this brochure is therefore subject to change without prior notification.