



ACO product catalogue

ACO GRP (Glass Reinforced Plastic)

Surface Water Treatment - Overseas transportable products



**ACO. creating
the future of drainage**



GRP (Glass Reinforced Plastic) Surface Water Treatment



collect:
Collect and
remove



clean:
Pre-clean and
process



hold:
Protect and
attenuate



release:
Pump, discharge and
reuse



ACO system chain
in action

CONTENT

Sludge removals	4
Sedismart G	4
Sludge Trap G	6
Sludge Trap G-H	8
Oil Separators	10
Oleopator G	10
Oleopator G-H	12
Oleopator-Bypass G	14
Oleopator-Bypass G-H – Integrated	16
Oleosmart G	18
Technical Filters	20
Stormclean TF G	20
Stormclean TF G-H	22
External Bypass and Shafts	24
External Bypass G-H / Dividing shaft	24
External Bypass G-H / Merging shaft	26
Top Sections	28
Top Sections for Sludge Removals, Oil Separators, Technical Filters and other shafts	28
Accessories	31
Top Sections for Sample unit	32
Alarm units	33
ACO Belt	34

Sedismart G

Product information

ACO Product benefits

- Separation efficiency of suspended solids higher than 80% (tested with particles from 100 to 125 µm, bulk density 1,267 kg/l).
- Special internal structure for optimised sedimentation
- Significantly higher efficiency than standard sludge trap
- Conforms to DWA-M 153 type D24 (German Association for Water and Wastewater)
- Compact design

- Vertical tank made of glass reinforced plastic - no heavy machinery required, resistant material
- Inner parts made of PEHD
- Suitable top sections
- Pipe connection using suitable push sockets or pipe connectors (no welded sockets)



Order information

Item	Q _{in} at 10 m ³ (m ² h) [l/s]	Inlet/Outlet DN	Sludge storage tank [l]	Total [l]	Weight [kg]	Item number
Sedismart 4 G	4.0	110	400	1052	105	12830.01
Sedismart 7 G	7.1	160	690	1623	170	12831.01
Sedismart 11 G	11.0	160	1100	2509	220	12832.01
Sedismart 24 G	23.8	200	2500	5835	570	12833.08

Top sections



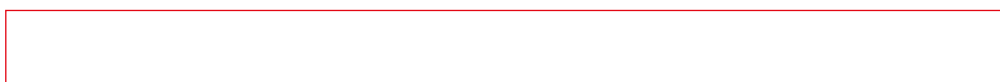
- Top section 1**
- Load class A 15
 - Cover DN 600



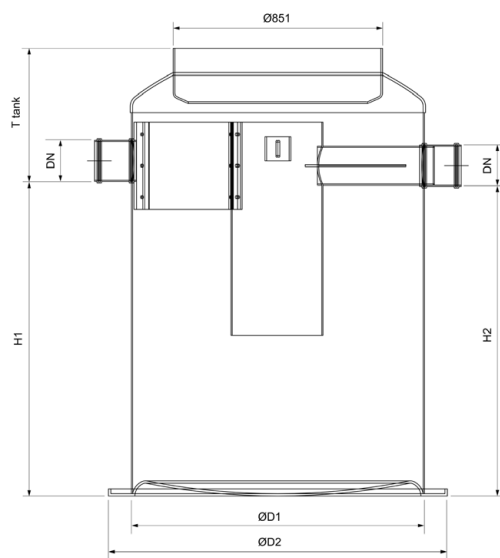
- Top section 2**
- Load class B 125
 - Cover DN 600



- Top section 3**
- Load class D 400
 - Cover DN 600



Dimensions



Item	Item number	Dimensions					
		H1 [mm]	H2 [mm]	ØD1 [mm]	ØD2 [mm]	T tank [mm]	Tank height [mm]
Sedismart 4 G	12830.01	1210	1190	1000	1240	483	1693
Sedismart 7 G	12831.01	1305	1285	1200	1400	620	1925
Sedismart 11 G	12832.01	1300	1280	1500	1720	628	1928
Sedismart 24 G	12833.08	1415	1395	2200	2340	766	2181

Sludge Trap G

Product information

ACO Product benefits

- Simple to install, space efficient
 - Alarm device - optional accessories
 - Compatible combination options with Oleopator G without an integrated sludge trap
-
- Vertical tank made of glass reinforced plastic - no heavy machinery required, resistant material
 - Suitable top sections
 - Pipe connection using suitable push sockets or pipe connectors (no welded sockets)



Order information

Volume Sludge trap [l]	Inlet/outlet DN/OD [mm]	Volume Total capacity [l]	Weight [kg]	Item number
600	110	723	125	12812.01
1000	110	1130	190	12813.01
1200	160	1431	200	12814.01
1500	160	1431	200	12815.01
2000	200	2620	290	12816.01
3000	250	3271	350	12817.08
4000	315	4258	380	12818.08
5000	315	4673	420	12819.08

Top sections



- Top section 1**
- Load class A 15
 - Cover DN 600



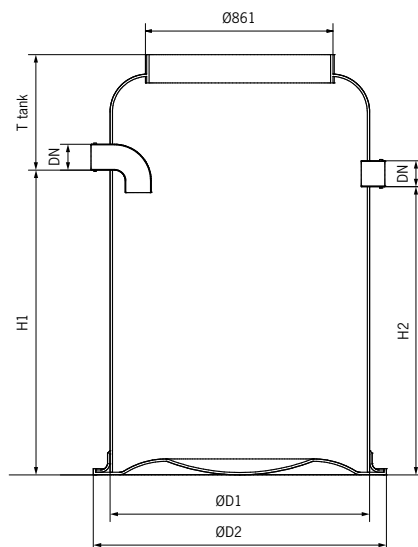
- Top section 2**
- Load class B 125
 - Cover DN 600



- Top section 3**
- Load class D 400
 - Cover DN 600



Dimensions



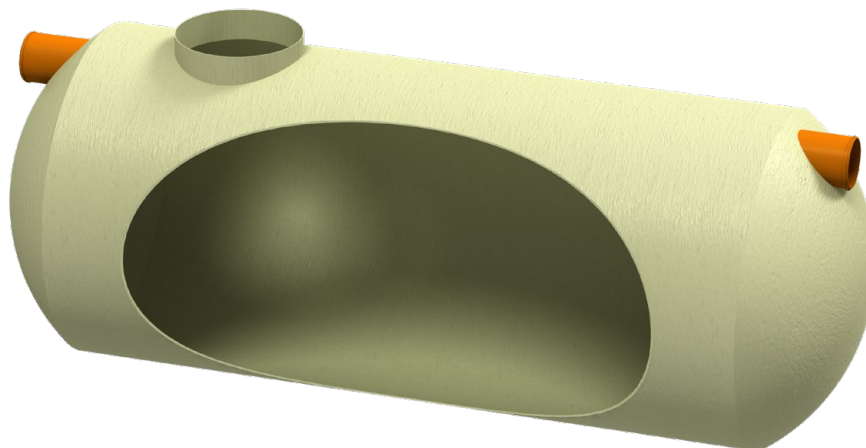
Volume Sludge trap [l]	Item number	Dimension				
		H1 [mm]	H2 [mm]	ØD1 [mm]	ØD2 [mm]	T tank [mm]
600	12812.01	690	640	1200	1400	390
1200	12813.01	690	640	1500	1720	540
1200	12814.01	860	810	1500	1720	570
1500	12815.01	860	810	1500	1720	570
2000	12816.01	1080	1030	1800	2040	720
3000	12817.08	995	945	2100	2340	805
4000	12818.08	1280	1230	2100	2340	770
5000	12819.08	1280	1230	2200	2440	720

Sludge Trap G-H

Product information

- ACO Product benefits**
- Simple to install, space efficient
 - Alarm device - optional accessories
 - Compatible combination options with Oleopator G without an integrated sludge trap

- Horizontal tank made of glass reinforced plastic - no heavy machinery required, resistant material
- Suitable top sections
- Pipe connection using suitable push sockets or pipe connectors (no welded sockets)



Order information

Volume Sludge trap [l]	Inlet/outlet DN/OD [mm]	Volume Total capacity [l]	Weight [kg]	Item number
3000	200	3034	238	12800.01
6500	200	6559	373	12801.01
10000	250	10001	490	12802.01
15000	250	15003	734	12803.01
20000	315	20155	859	12804.01

Larger tank volumes on request

Top sections



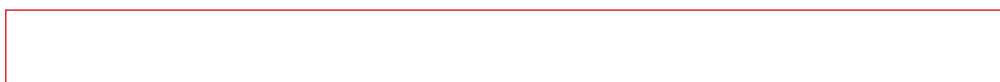
- Top section 1**
- Load class A 15
 - Cover DN 600



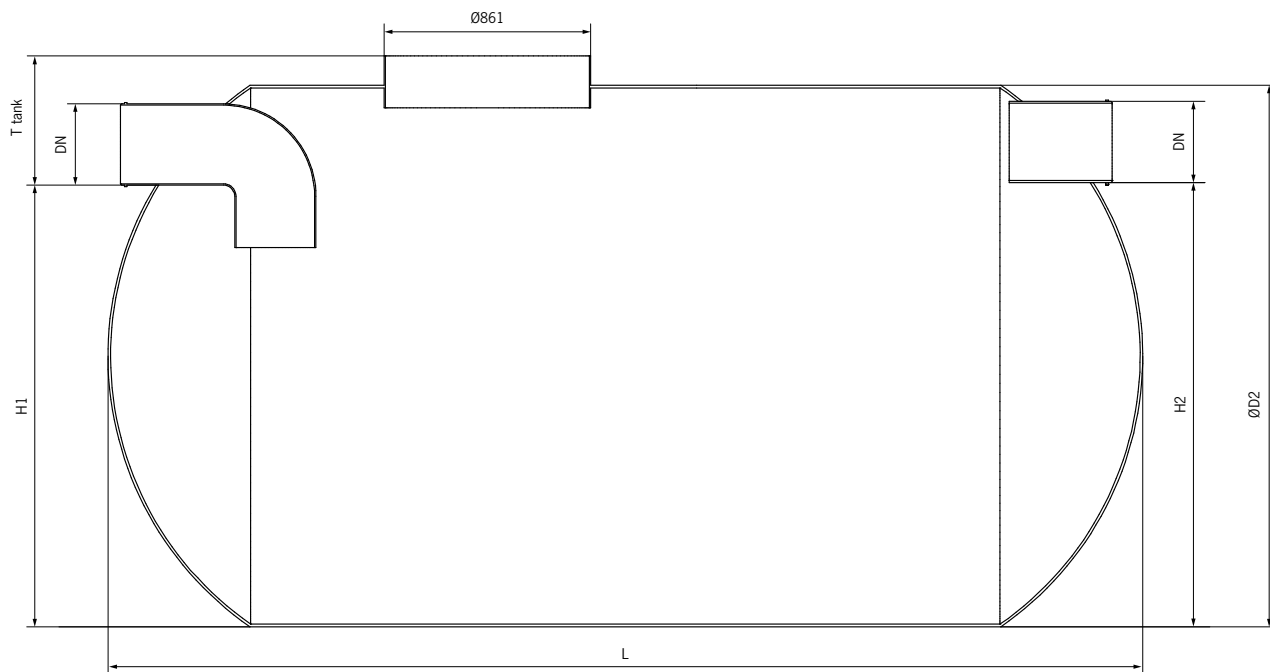
- Top section 2**
- Load class B 125
 - Cover DN 600



- Top section 5**
- Load class D 400
 - Cover DN 600



Dimensions



Volume Sludge trap [l]	Item number	Dimension					ACO Belt * [pcs]
		H1 [mm]	H2 [mm]	ØD2 [mm]	T tank [mm]	L [mm]	
3000	12800.01	1030	980	1220	290	3280	2
6500	12801.01	1630	1580	1820	290	3145	2
10000	12802.01	1580	1530	1820	340	4705	3
15000	12803.01	1880	1830	2120	340	5065	4
20000	12804.01	1815	1765	2120	405	6865	5

* Use in case of occurrence groundwater

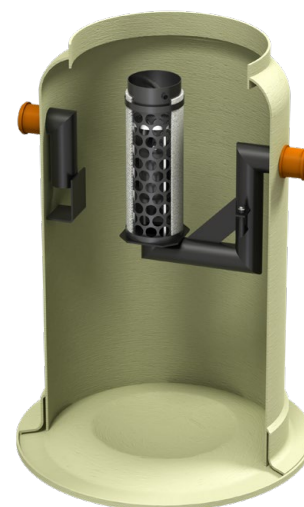
Oleopator G

Product information

ACO Product benefits

- All nominal sizes tested by independent test institute (LGA) - test report
 - Optimum accessibility guaranteed for maintenance, cleaning and disposal thanks to removable cage component
 - Coalescence unit and float can be removed for cleaning without having to empty the separator
 - Easy to clean coalescence unit
 - Sampling system can be integrated
 - Alarm device - optional accessories
-
- Complies with standards EN 858 class I (class II without coalescence unit) - all tested
 - With coalescence unit
 - Inner parts made of HDPE

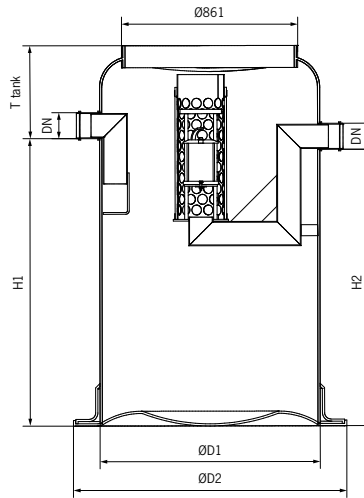
- Compliance with part of standards:
 - EN 976 Underground tanks of GRP Horizontal cylindrical tanks for the nonpressure storage of liquid petroleum based fuels
 - EN 978 Determination of factor alfa and factor beta
 - EN 681-1 Elastomeric seals
 - EN 13501-1 Fire classification of construction products and building elements
 - ISO 1183 Plastics
- Vertical tank made of glass reinforced plastic - no heavy machinery required, resistant material
- Suitable top sections
- Pipe connection using suitable push sockets or pipe connectors (no welded sockets)



Order information

Nominal size	Inlet/outlet DN/OD [mm]	Sludge trap [l]	Volume		Weight [kg]	Top section diameter	Item number
			Oil storage [l]	Total capacity [l]			
3	110	0	163	479	100	DN600	12600.01
3	110	300	163	604	105	DN600	12601.01
3	110	600	163	903	120	DN600	12602.01
3	110	900	232	1297	172	DN600	12603.01
6	160	0	160	471	105	DN600	12610.01
6	160	600	160	887	169	DN600	12611.01
6	160	1200	232	1602	182	DN600	12612.01
6	160	1800	576	2413	390	DN600	12613.01
10	160	0	273	583	110	DN600	12620.01
10	160	1000	273	1534	197	DN600	12621.01
10	160	2000	576	2784	254	DN600	12622.01
10	160	3000	1020	3746	270	DN600	12626.01
15	200	0	464	1495	290	DN600	12630.01
15	200	1500	464	2360	390	DN600	12631.01
15	200	3000	944	3914	525	DN600	12632.01
20	200	0	1163	1410	320	DN600	12641.01
20	200	4000	1163	5857	480	DN600	12642.08
20	200	6000	1163	7909	555	DN600	12643.08
20	200	2000	1163	3243	505	DN600	12645.01
30	250	0	1513	1260	310	DN800	12650.01
30	250	3000	1513	5705	470	DN600	12651.08
30	250	6000	1613	8555	613	DN600	12652.08
40	315	0	1350	4223	440	DN800	12660.08
40	315	4000	1350	7225	560	DN800	12661.08
50	315	0	1350	4223	410	DN800	12670.08
50	315	5000	1350	8213	630	DN800	12671.08

Dimensions



Nominal size	Item number	Dimension				
		H1 [mm]	H2 [mm]	ØD1 [mm]	ØD2 [mm]	T tank [mm]
3	12600.01	640	620	1000	1240	400
3	12601.01	800	780	1000	1240	400
3	12602.01	1180	1160	1000	1240	400
3	12603.01	1200	1180	1200	1400	460
6	12610.01	630	610	1000	1240	460
6	12611.01	1160	1140	1000	1240	460
6	12612.01	1470	1450	1200	1400	570
6	12613.01	1410	1390	1500	1720	630
10	12620.01	810	790	1000	1240	440
10	12621.01	1410	1390	1200	1400	590
10	12622.01	1620	1600	1500	1720	560
10	12626.01	1640	1620	1800	2040	690
15	12630.01	890	870	1500	1720	660
15	12631.01	1380	1360	1500	1720	660
15	12632.01	2260	2240	1500	1720	600
20	12641.01	1030	1010	1500	1720	660
20	12642.08	1660	1640	2200	2440	780
20	12643.08	2200	2180	2200	2440	690
20	12645.01	1880	1860	1500	1720	660
30	12650.01	945	925	1500	1720	655
30	12651.08	1620	1600	2200	2440	730
30	12652.08	2370	2350	2200	2440	720
40	12660.08	1230	1210	2200	2440	970
40	12661.08	2020	2000	2200	2440	830
50	12670.08	1230	1210	2200	2440	770
50	12671.08	2280	2260	2200	2440	960

Top sections



- Top section 1**
- Load class A 15
 - Cover DN 600



- Top section 2**
- Load class B 125
 - Cover DN 600



- Top section 3**
- Load class D 400
 - Cover DN 600



- Top section 4**
- Load class D 400
 - Cover DN 800
 - Oleopator G | NS 40-50
 - NS 30 (0 sludge trap)

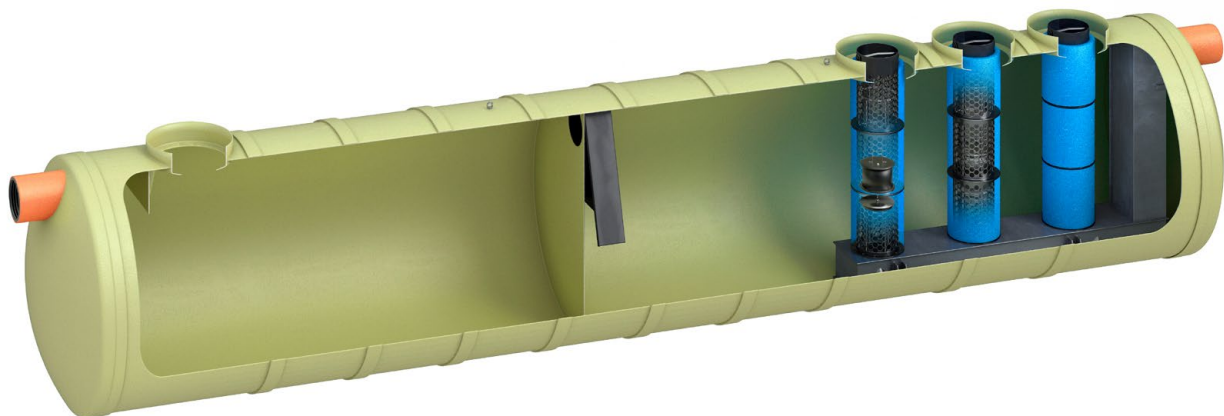
Oleopator G-H

Product information

ACO Product benefits

- All nominal sizes according to EN 858 - test and calculation report
- Optimum accessibility guaranteed for maintenance, cleaning and disposal thanks to removable cage component
- Coalescence unit and float can be removed for cleaning without having to empty the separator
- Integrated sludge trap
- Easy to clean coalescence unit
- Sampling system can be integrated
- Alarm device - optional accessories

- Complies with standards EN 858 class I (class II without coalescence unit)
- Compliance with part of standards:
 - EN 976 Horizontal cylindrical tanks for the nonpressure storage of liquid petroleum based fuels
 - EN 978 Determination of factor alpha and factor beta
 - EN 681-1 Elastomeric seals
 - EN 13501-1 Fire classification of construction products and building elements
 - ISO 1183 Plastics
- Horizontal tank made of glass reinforced plastic - no heavy machinery required, resistant material
- With coalescence unit
- Inner parts made of HDPE
- Suitable top sections
- Pipe connection using suitable push sockets or pipe connectors (no welded sockets)



Order information

Nominal size	Inlet/outlet DN/OD [mm]	Volume			Weight [kg]	Item number
		Sludge trap [l]	Oil storage [l]	Total capacity [l]		
65	315	6500	3150	16500	1030	12561.01
80	400	8000	3880	20300	1380	12562.01
100	400	10000	4170	23200	1580	12563.01
150	400	15000	5230	31200	1900	12564.01
200	400	20000	7230	37800	2280	12565.01

Top sections



- Top section 1**
- Load class A 15
 - Cover DN 200

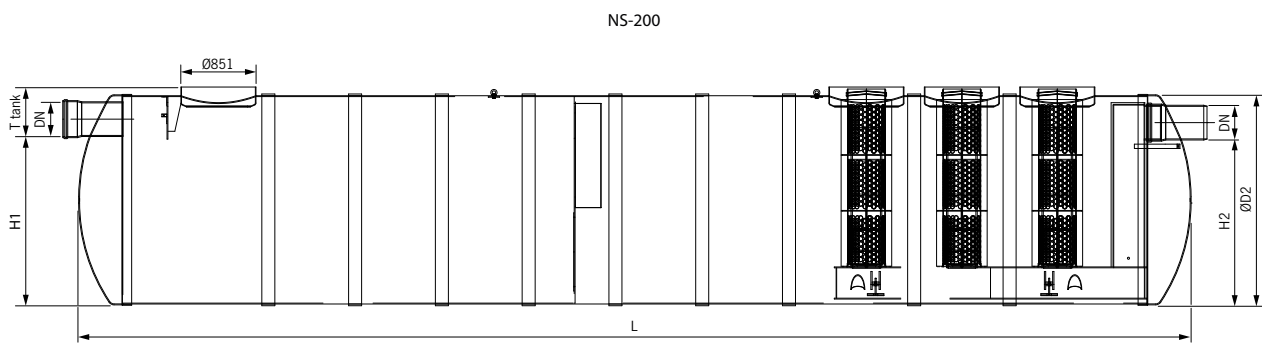


- Top section 2**
- Load class B 125
 - Cover DN 300



- Top section 5**
- Load class D 400
 - Cover DN 600

Dimensions



Nominal size	Item number	Dimension						ACO Belt *	Quantity of Top Sections [DN 600]	Quantity of coalescence units and closing devices
		H1 [mm]	H2 [mm]	ØD2 [mm]	T tank [mm]	Total height [mm]	L [mm]			
65	12561.01	1873	1833	2220	467	2340	5112	6	2	1
80	12562.01	1690	1650	2220	650	2340	6330	6	3	2
100	12563.01	1690	1650	2220	650	2340	7230	7	3	2
150	12564.01	1690	1650	2220	650	2340	9590	8	3	2
200	12565.01	1690	1650	2220	650	2340	11500	9	4	3

* Use in case of occurrence groundwater

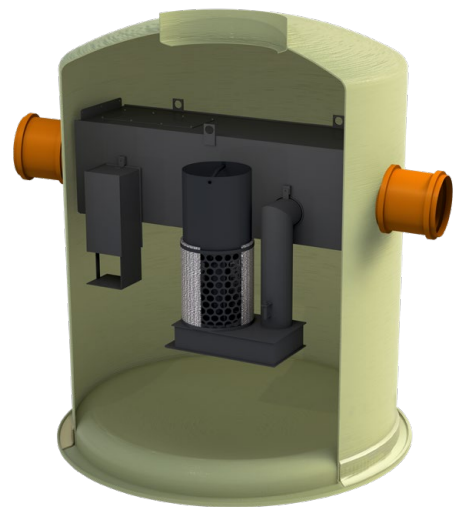
Oleopator-Bypass G

Product information

- ACO Product benefits**
- All nominal sizes tested by independent test institute (LGA) - test report
 - Optimum accessibility guaranteed for maintenance, cleaning and disposal thanks to removable cage component
 - Coalescence unit and float can be removed for cleaning without having to empty the separator
 - Easy to clean coalescence unit
 - Sampling system can be integrated
 - Alarm device - optional accessories
 - Option for drainage of large areas in combination with traditional separator technology

- Complies with standards EN 858 class I (class II without coalescence unit) - all tested
- With coalescence unit
- Inner parts made of PEHD

- Compliance with part of standards:
 - EN 976 Horizontal cylindrical tanks for the nonpressure storage of liquid petroleum based fuels
 - EN 978 Determination of factor alfa and factor beta
 - EN 681-1 Elastomeric seals
 - EN 13501-1 Fire classification of construction products and building elements
 - ISO 1183 Plastics
- Vertical tank made of glass reinforced plastic - no heavy machinery required, resistant material
- With bypass channel and integrated bypass control
- Suitable top sections
- Pipe connection using suitable push sockets or pipe connectors (no welded sockets)



Order information

Nominal size	Inlet/outlet DN/OD [mm]	Max. Flow [l/s]	Volume			Weight [kg]	Item number
			Sludge trap [l]	Oil storage [l]	Total capacity [l]		
6	315	60	600	412	1318	275	12541.01
6	315	60	1200	412	1936	303	12542.01
6	315	60	1800	412	2554	331	12543.01
8	315	80	800	412	1530	284	12544.01
8	315	80	1600	412	2325	320	12545.01
8	315	80	2400	412	3120	357	12546.01
10	400	100	1000	412	1760	318	12547.01
10	400	100	2000	412	2749	363	12548.01
10	400	100	3000	412	3738	405	12549.01
15	400	150	1500	902	3311	478	12550.08
15	400	150	3000	902	4698	520	12551.08
15	400	150	4500	902	6370	566	12552.08
20	400	200	2000	1197	4413	477	12553.08
20	400	200	4000	1197	6427	519	12554.08
20	400	200	6000	1197	8403	566	12555.08
30	500	300	3000	1473	5439	564	12556.08
30	500	300	6000	1473	8441	708	12557.08
30	500	300	9000	1473	11442	801	12558.08

Top sections



- Top section 1**
- Load class A 15
 - Cover DN 600



- Top section 2**
- Load class B 125
 - Cover DN 600

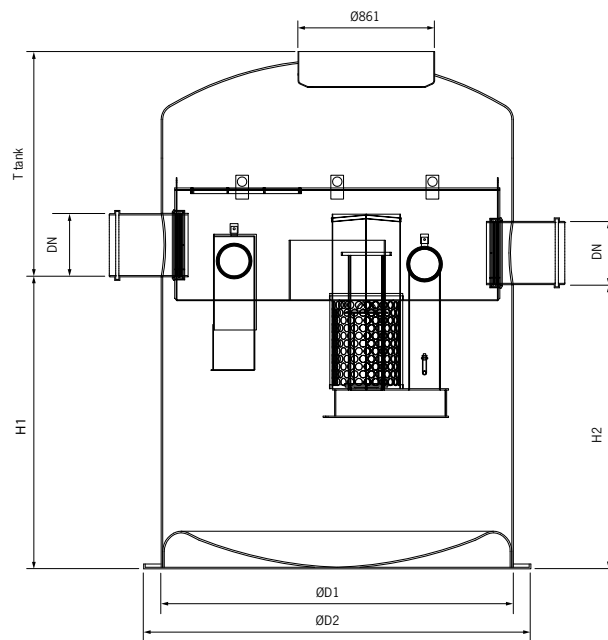


- Top section 3**
- Load class D 400
 - Cover DN 600



- Top section 4**
- Load class D 400
 - Cover DN 800
 - Oleopator G | NS 30

Dimensions



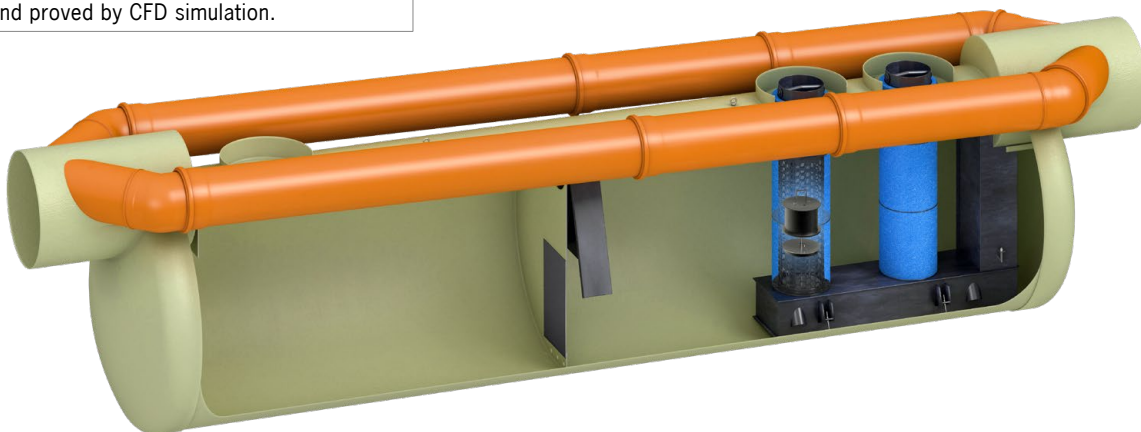
Nominal size	Item number	Dimension				
		H1 [mm]	H2 [mm]	ØD1 [mm]	ØD2 [mm]	T tank [mm]
6	12541.01	820	770	1500	1720	880
6	12542.01	1170	1120	1500	1720	875
6	12543.01	1520	1470	1500	1720	875
8	12544.01	940	890	1500	1720	875
8	12545.01	1390	1340	1500	1720	875
8	12546.01	1840	1790	1500	1720	875
10	12547.01	1070	1020	1500	1720	1060
10	12548.01	1630	1580	1500	1720	1060
10	12549.01	2190	2140	1500	1720	1020
15	12550.08	1020	970	2200	2440	1270
15	12551.08	1385	1335	2200	2440	1265
15	12552.08	1825	1775	2200	2440	1215
20	12553.08	1360	1260	2200	2440	1370
20	12554.08	1840	1790	2200	2440	1420
20	12555.08	2360	2310	2200	2440	1420
30	12556.08	1630	1530	2200	2440	1360
30	12557.08	2420	2320	2200	2440	1360
30	12558.08	3210	3110	2200	2440	1360

Oleopator-Bypass G-H – Integrated

Product information

- ACO Product benefits**
- All nominal sizes according to EN 858 - test and calculation report
 - Optimum accessibility guaranteed for maintenance, cleaning and disposal thanks to removable unit component
 - Coalescence unit and closing device can be removed for cleaning without having to empty the separator
 - Integrated sludge trap
 - Easy-to-clean coalescence unit
 - Sampling system can be integrated
 - Alarm device - optional accessories
 - Option for drainage of large areas in combination with traditional separator technology
 - Bypass systems have been tested and proved by CFD simulation.

- Complies with standards EN 858 class I (class II without coalescence unit)
- Compliance with part of standards:
 - EN 976 Horizontal cylindrical tanks for the nonpressure storage of liquid petroleum based fuels
 - EN 978 Determination of factor alpha and factor beta
 - EN 681-1 Elastomeric seals
 - EN 13501-1 Fire classification of construction products and building elements
 - ISO 1183 Plastics
- Complies with standards EN 858 Class I
- Horizontal tank made of glass reinforced plastic - no heavy machinery required, resistant material
- With coalescence unit
- With bypass channel and integrated bypass control
- Inner parts made of PEHD
- Wide range of top sections and covers
- Pipe connection using suitable push sockets or pipe connectors (no welded sockets)



Order information

Nominal size NS	Nominal size bypass NSB	Inlet/Outlet DN/OD [mm]	Bypass DN/OD [mm]	Sludge trap [l]	Oil storage [l]	Total capacity [l]	Weight [kg]	Item number
65	650	800	2xDN400	6500	3150	16500	1310	12566.01
80	800	1000	2xDN500	8000	3880	20300	1830	12567.01
100	1000	1000	2xDN500	10000	4170	23200	1900	12568.01
150	1500	1000	2xDN500	15000	5230	31200	2380	12569.01
200	2000	1000	2xDN500	20000	7230	37800	3100	12570.01

Top sections



- Top section 1**
- Load class A 15
 - Cover DN 600



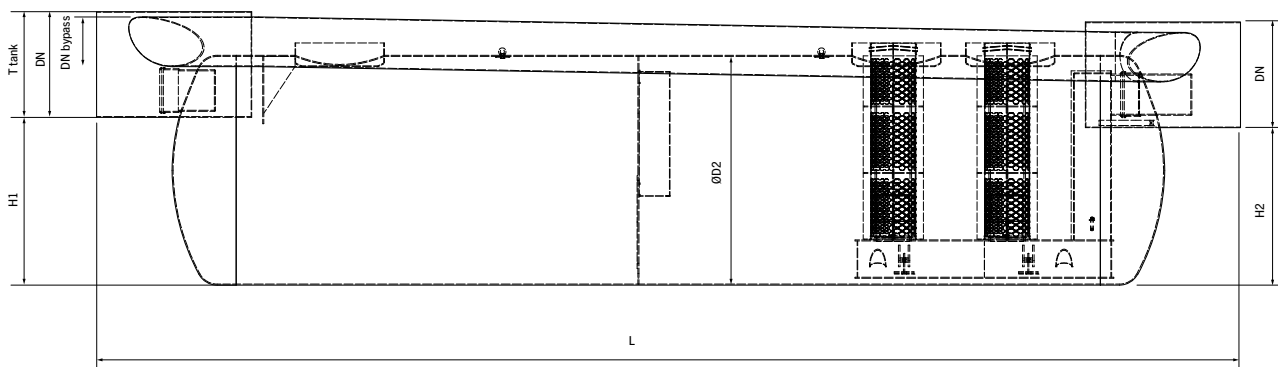
- Top section 2**
- Load class B 125
 - Cover DN 600



- Top section 5**
- Load class D 400
 - Cover DN 600

Dimensions

NS/NSB - 150/1500



NS/NSB	Item number	Dimensions							ACO Belts**	Quantity of Top sections DN600	Quantity of coalescence units and closing devices
		H1 [mm]	H2 [mm]	ØD2 [mm]	T tank [mm]	Total height [mm]	Width [mm]	L [mm]			
65/650	12566.01	1827	1777	2220	820	2647	2220	6090	6	2	1
80/800	12567.01	1622	1522	2220	1020	2642	2220	7690	6	3	2
100/1000	12568.01	1622	1522	2220	1020	2642	2220	9053	7	3	2
150/1500	12569.01	1622	1522	2220	1020	2642	2220	11053	8	3	2
200/2000	12570.01	1690 (1640*)	1650 (1500*)	2220	650 (1020*)	2340 (2660*)	2220 (2685*)	11500 (14612*)	9	4	3

* Attached bypass system (delivered unassembled). Only NS/NSB 200/2000

** Use in case of occurrence groundwater

Oleosmart G

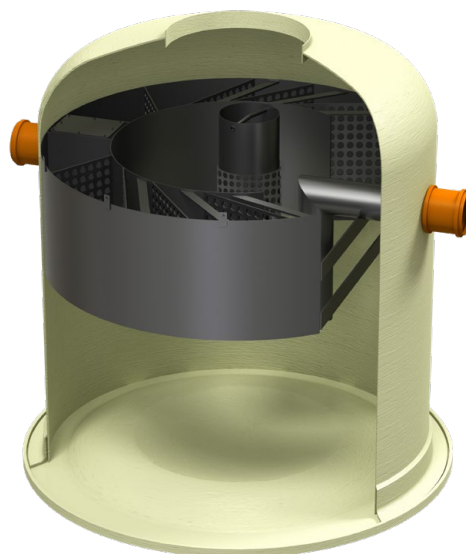
Product information

ACO Product benefits

- All nominal sizes tested by independent test institute (LGA) - test report
- Low-maintenance thanks to filter-free multi-channel technology
- High sedimentation rate thanks to a long flow distance
- Optimum accessibility guaranteed for maintenance, cleaning and disposal thanks to removable cage component
- Float can be removed for cleaning without having to empty the separator
- Operational reliability thanks to low turbulence float control
- Sampling system can be integrated
- Alarm device - optional accessories

- Complies with standards EN 858 class I
- Vertical tank made of glass reinforced plastic - no heavy machinery required, resistant material

- Compliance with part of standards:
 - EN 976 Horizontal cylindrical tanks for the nonpressure storage of liquid petroleum based fuels
 - EN 978 Determination of factor alpha and factor beta
 - EN 681-1 Elastomeric seals
 - EN 13501-1 Fire classification of construction products and building elements
 - ISO 1183 Plastics
- No coalescence unit which may cause clogging
- Simultaneous separation of sludge and light liquids
- Inner parts made of PEHD
- Suitable top sections
- Pipe connection using suitable push sockets or pipe connectors (no welded sockets)



Order information

Nominal size	Inlet/outlet DN/OD [mm]	Volume			Weight [kg]	Item number
		Sludge trap [l]	Oil storage [l]	Total capacity [l]		
4	160	400	142	726	110	12700.01
4	160	800	142	1142	125	12701.01
6	160	600	396	1325	230	12713.01
6	160	1200	396	1925	250	12714.01
10	160	1000	396	1784	240	12703.01
10	160	2000	396	2844	260	12704.01
15	200	1500	744	3609	600	12706.08
15	200	3000	744	4521	630	12707.08
20	250	2000	1121	4369	610	12708.08
20	250	4000	1121	6649	680	12709.08

Top sections



- Top section 1**
- Load class A 15
 - Cover DN 600

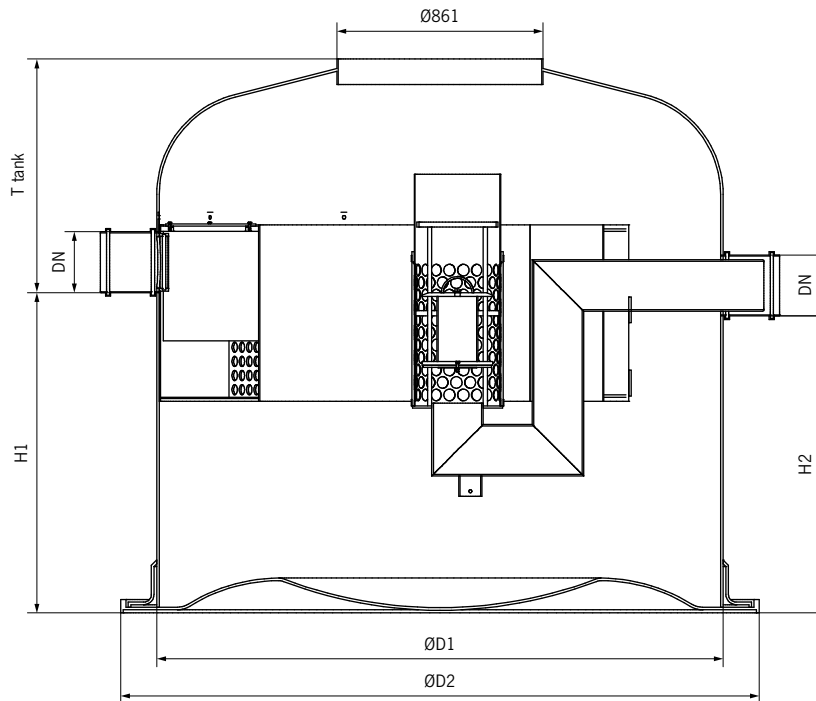


- Top section 2**
- Load class B 125
 - Cover DN 600



- Top section 3**
- Load class D 400
 - Cover DN 600

Dimensions



Nominal size	Item number	Dimension				
		H1 [mm]	H2 [mm]	ØD1 [mm]	ØD2 [mm]	T tank [mm]
4	12700.01	945	925	1000	1240	570
4	12701.01	1475	1455	1000	1240	570
6	12713.01	770	750	1500	1720	610
6	12714.01	1110	1090	1500	1720	610
10	12703.01	1030	1010	1500	1720	610
10	12704.01	1630	1610	1500	1720	610
15	12706.08	970	950	2200	2440	980
15	12707.08	1210	1190	2200	2440	1000
20	12708.08	1170	1150	2200	2440	940
20	12709.08	1770	1750	2200	2440	940

Stormclean TF G

Product information

Technical filters are used to remove substances including mineral oil, total suspended solids (smaller than 63 microns), heavy metals (copper, zinc and lead), and phosphorous which contribute to rainwater pollution from traffic and industrial processes. It has also ability to neutralise water Ph from acid rains.

Enables infiltration of water directly into the soil, reducing the demand on waste water treatment plants and public sewage systems.



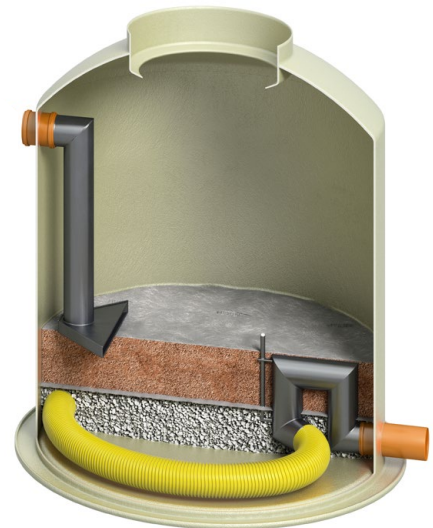
CAR PARKS / ROADS

INDUSTRIES

METAL ROOFS

- ACO Product benefits**
- According to Önorm 2506-3 and certified by Austrian Standards Institute
 - Simultaneous water cleaning via the removal of mineral oils, heavy metals and suspended solids
 - Technical filter already pre-assembled! Just plug it in.
 - Optimal accessibility for maintenance, cleaning and disposal
 - Lifetime of filter media depending on local conditions and pollution load. Tested filter life of four years (replaceable for the new material)
 - Pre-assembled socket for sampling unit

- Inner parts made of PEHD
- With integrated connection for sampling
- Additional sludge trap or Sedismart needed to protect filter media
- Article number of Stormclean does not include the filter media. Add also particular article number of filter set - 12924.01 or 12925.01 below.



Order information

Item	Max. water flow [l/s]	In/Outlet DN	Drained surface [m ²] ¹	Position	Sludge trap volume [l]	Tank volume [l]	Filter volume [m ³] ⁴	Total weight [kg] ⁵	Filter media - ACO Ferrosorp	Tank with plastic innerparts
TF 600 G-V	20	160	630	vertical	(0) ²	3760	0,764	1493	12924.01	12955.01
TF 850 G-V	27	160	860	vertical	(0) ³	5420	1,04	2487	12925.01	12956.08

1 According to Önorm 2506-3
 2 Recommended sludge trap with a volume of 2,000 liters (Item No. 12816.01)
 3 Recommended sludge trap with a volume of 3,000 liters (Item No. 12817.01)
 4 Filter must be ordered separately then delivered as a complete solution
 5 Complete weight of tank, inner parts and filter

Pollutants

Pollutants	Stormclean treatment
Total suspended solids	✓
Heavy metals	✓
Phosphorus	✓
Acid rain	✓
Petroleum hydrocarbons	✓

Top sections



- Top section 1**
- Load class A 15
 - Cover DN 600



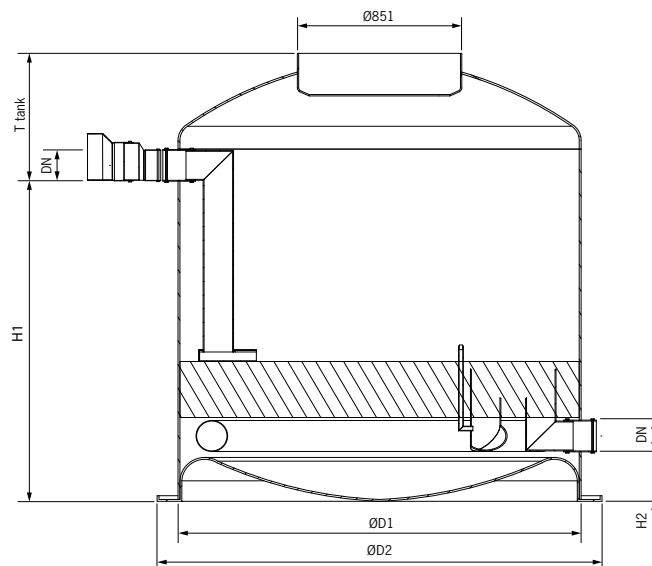
- Top section 2**
- Load class B 125
 - Cover DN 600



- Top section 3**
- Load class D 400
 - Cover DN 600



Dimensions



Item	Item number	H1 [mm]	H2 [mm]	ØD1 [mm]	ØD2 [mm]	T tank [mm]	Length of total tank - sludge trap + filter [mm]	Tank height [mm]	inlet - outlet difference [mm]
TF 600 G-V	12955.01	1030	70	1800	2040	680	4460*	1710	960
TF 850 G-V	12956.08	1230	270	2100	2340	680	5110**	1910	960

* Including sludge trap 2,000 liters (Item No. 12816.01)

** Including sludge trap 3,000 liters (Item No. 12817.01)

Stormclean - Filter media/replacement

Art. n.	Product	Package
12924.01	Filter set TF 600 G-V	ACO Ferrosorp material 451 kg, geotextile
12925.01	Filter set TF 850 G-V	ACO Ferrosorp material 614 kg, geotextile
12928.01	Filter material bag	New filter material 20 kg

Stormclean TF G-H

Product information

Technical filters are used to remove substances including mineral oil, total suspended solids (smaller than 63 microns), heavy metals (copper, zinc and lead), and phosphorous which contribute to rainwater pollution from traffic and industrial processes. It has also ability to neutralise water Ph from acid rains.

Enables infiltration of water directly into the soil, reducing the demand on waste water treatment plants and public sewage systems.



CAR PARKS / ROADS

INDUSTRIES

METAL ROOFS

ACO Product benefits

- According to Önorm 2506-3 and certified by Austrian Standards Institute
- Simultaneous water cleaning via the removal of mineral oils, heavy metals and suspended solids
- Technical filter already pre-assembled! Just plug it in.
- 3in1 solution – sludge trap, technical filter, sampling unit in one tank
- Tailored solutions available to meet individual project requirements
- Optimal accessibility for maintenance, cleaning and disposal
- Lifetime of filter media depending on local conditions and pollution load. Tested filter life of four years (replaceable for the new material)
- Pre-assembled socket for sampling unit

- Inner parts made of PEHD
- With integrated connection for sampling
- Sludge trap included
- Article number of Stormclean does not include the filter media. Add also particular article number of filter set - 12926.01 or 12927.01 below.



Order information

Item	Max. water flow [l/s]	In/Out-let DN	Drained surface [m ²] ¹	Position	Sludge trap volume [l]	Filter tank volume [l]	Filter volume [m ³] ²	Total weight [kg] ³	Filter media - ACO Ferrosorp	Item number
TF 1000 G-H	32	315	1010	horizontal	4250	2581	1,186	2670	12926.01	12945.01
TF 1300 G-H	41	315	1300	horizontal	5034	3588	1,508	3360	12927.01	12946.01

1 According to Önorm 2506-3 / 2 Filter must be ordered separately then delivered as a complete solution / 3 Complete weight of tank, inner parts and filter

Pollutants

Pollutants	Stormclean treatment
Total suspended solids	✓
Heavy metals	✓
Phosphorus	✓
Acid rain	✓
Petroleum hydrocarbons	✓

Top sections



- Top section 1**
- Load class A 15
 - Cover DN 600

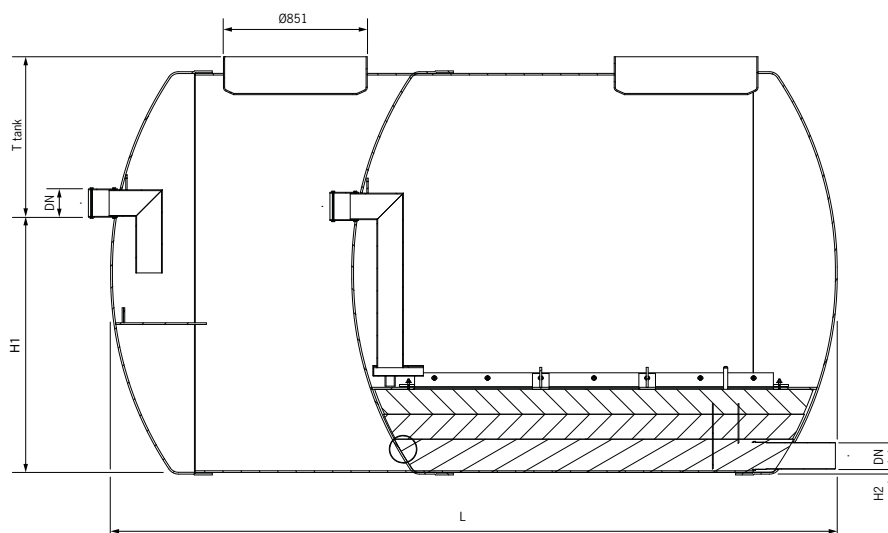


- Top section 2**
- Load class B 125
 - Cover DN 600



- Top section 5**
- Load class D 400
 - Cover DN 600

Dimensions



Item	Item number	H1 [mm]	H2 [mm]	ØD1 [mm]	ØD2 [mm]	T tank [mm]	L [mm]	Tank high [mm]	inlet - outlet difference [mm]
TF 1000 G-H	12945.01	1340	40	1800	580	5060	5060	1920	1300
TF 1300 G-H	12946.01	1340	40	1800	580	6110	6110	1920	1300

Stormclean - Filter media/replacement

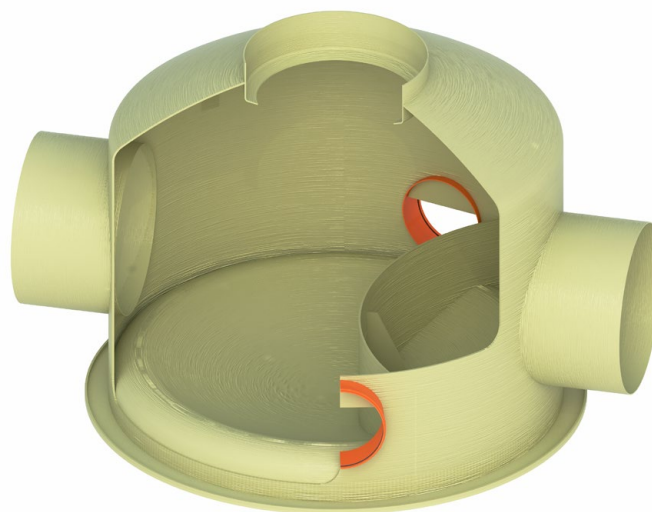
Art. n.	Product	Package
12926.01	Filter set TF 1000 G-H	ACO Ferrosorp material 714 kg, geotextile
12927.01	Filter set TF 1300 G-H	ACO Ferrosorp material 920 kg, geotextile
12928.01	Filter material bag	New filter material 20 kg

External Bypass G-H / Dividing shaft

Product information

ACO Product benefits

- Option for drainage of large areas in combination with traditional separator technology
 - Space efficient
-
- Tank made of glass reinforced plastic
 - Pipe connection using suitable push sockets or pipe connectors (no welded sockets)
 - One-piece construction



Order information

Flow rate		Inlet * D [mm]	Outlet (Bypass) * D [mm]	Outlet (Separator) [mm]	Weight [kg]	Item number
NS	Q max					
40	400	DN/OD 500	DN/OD 500	DN/OD 300	240	12750.01
50	500	DN/ID 600	DN/OD 500	DN/OD 300	240	12751.01
65	650	DN/ID 800	DN/ID 600	DN/OD 300	370	12752.08
80	800	DN/ID 800	DN/ID 600	DN/OD 400	380	12753.08
100	1000	DN/ID 800	DN/ID 800	DN/OD 400	410	12754.08
200 (2xNS100)	1000	DN/ID 800	DN/ID 800	DN/OD 400	410	12755.08
130 (2xNS65)	1300	DN/ID 1000	DN/ID 1000	DN/OD 300	440	12756.08
160 (2xNS80)	1600	DN/ID 1000	DN/ID 1000	DN/OD 400	440	12757.08
200 (2xNS100)	2000	DN/ID 1200	DN/ID 1000	DN/OD 400	480	12758.08

* Inlet/Outlet pipe ≤ DN500 = PVC
 Inlet/Outlet pipe > DN500 = GRP

Top sections



- Top section 1**
- Load class A 15
 - Cover DN 600

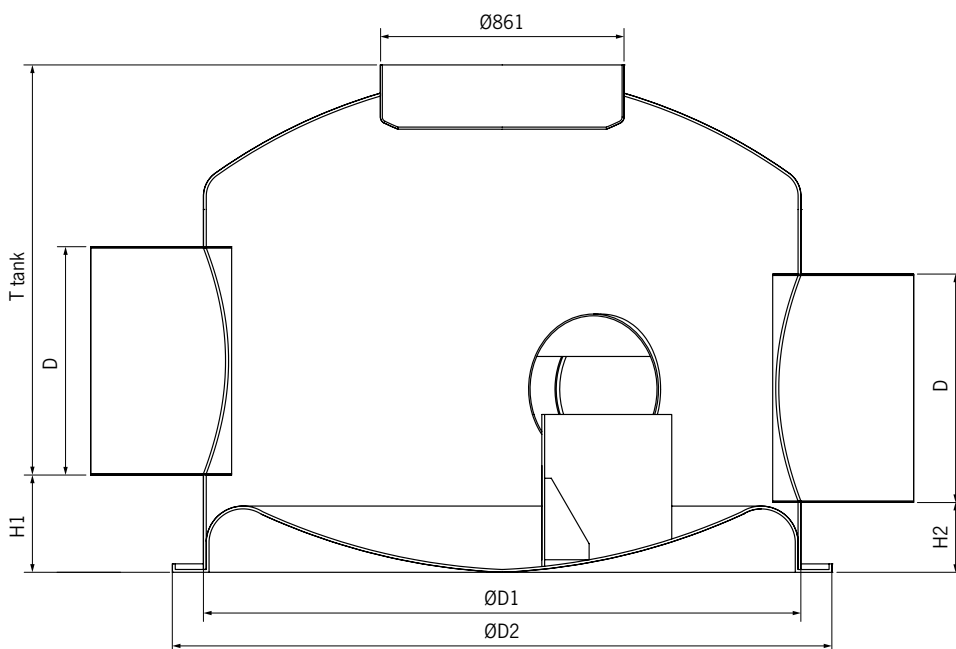


- Top section 2**
- Load class B 125
 - Cover DN 600



- Top section 3**
- Load class D 400
 - Cover DN 600

Dimensions



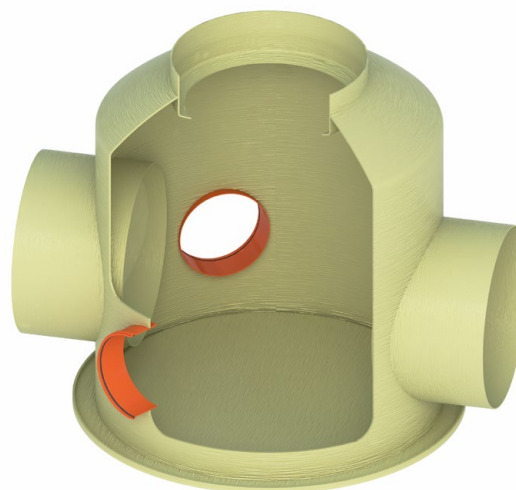
Flow rate		Item number	Dimension				
NS	Q max		H1 [mm]	H2 [mm]	ØD1 [mm]	ØD2 [mm]	T tank [mm]
40	400	12750.01	170	70	1500	1720	1130
50	500	12751.01	170	70	1500	1720	1130
65	650	12752.08	350	250	2100	2340	1373
80	800	12753.08	340	240	2100	2340	1383
100	1000	12754.08	350	250	2100	2340	1450
200 (2xNS100)	1000	12755.08	350	250	2100	2340	1450
130 (2xNS65)	1300	12756.08	350	250	2100	2340	1573
160 (2xNS80)	1600	12757.08	350	250	2100	2340	1573
200 (2xNS100)	2000	12758.08	350	250	2100	2340	1773

External Bypass G-H / Merging shaft

Product information

ACO Product benefits

- Option for drainage of large areas in combination with traditional separator technology
 - Space efficient
-
- Tank made of glass reinforced plastic
 - Pipe connection using suitable push sockets or pipe connectors (no welded sockets)
 - One-piece construction



Order information

Flow rate		Inlet * D [mm]	Outlet (Bypass) * D [mm]	Outlet (Separator) [mm]	Weight [kg]	Item number
NS	Q max					
40	400	DN/OD 500	DN/OD 500	DN/OD 300	140	12770.01
50	500	DN/ID 600	DN/OD 500	DN/OD 300	140	12771.01
65	650	DN/ID 800	DN/ID 600	DN/OD 300	180	12772.01
80	800	DN/ID 800	DN/ID 600	DN/OD 400	180	12773.01
100	1000	DN/ID 800	DN/ID 800	DN/OD 400	290	12774.01
200 (2xNS100)	1000	DN/ID 800	DN/ID 800	DN/OD 400	290	12775.01
130 (2xNS65)	1300	DN/ID 1000	DN/ID 1000	DN/OD 300	300	12776.01
160 (2xNS80)	1600	DN/ID 1000	DN/ID 1000	DN/OD 400	300	12777.01
200 (2xNS100)	2000	DN/ID 1200	DN/ID 1200	DN/OD 400	420	12778.08

* Inlet/Outlet pipe ≤ DN500 = PVC
 Inlet/Outlet pipe > DN500 = GRP

Top sections



- Top section 1**
- Load class A 15
 - Cover DN 600

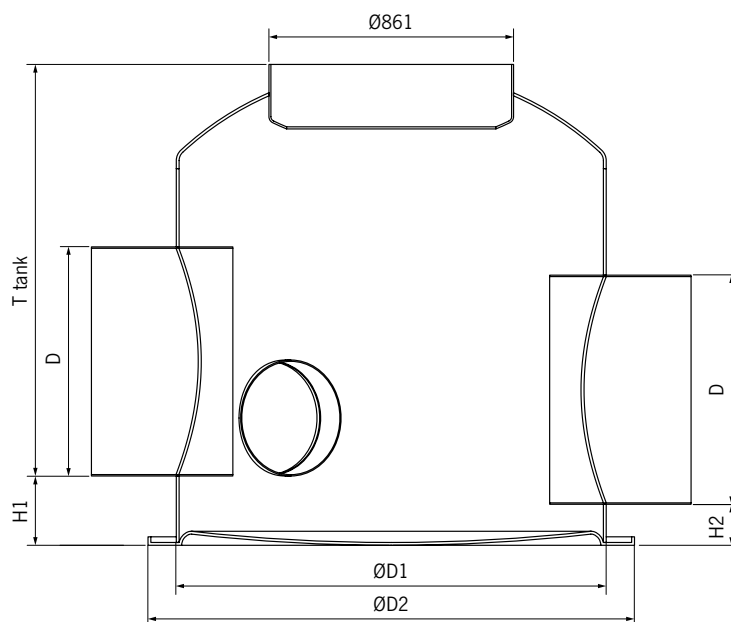


- Top section 2**
- Load class B 125
 - Cover DN 600



- Top section 3**
- Load class D 400
 - Cover DN 600

Dimensions



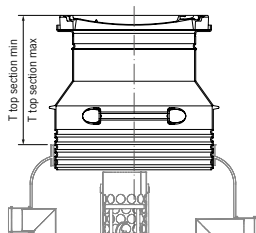
Flow rate		Item number	Dimension				
NS	Q max		H1 [mm]	H2 [mm]	ØD1 [mm]	ØD2 [mm]	T tank [mm]
40	400	12770.01	170	70	1000	1240	1130
50	500	12771.01	170	70	1000	1240	1130
65	650	12772.01	340	140	1200	1400	1383
80	800	12773.01	340	140	1200	1400	1383
100	1000	12774.01	250	150	1500	1720	1440
200 (2xNS100)	1000	12775.01	250	150	1500	1720	1450
130 (2xNS65)	1300	12776.01	250	150	1500	1720	1673
160 (2xNS80)	1600	12777.01	250	150	1500	1720	1673
200 (2xNS100)	2000	12778.08	260	160	1800	2040	1863

Top Sections

Top section 1 - load class A 15 / DN 600

ACO Product benefits

- Load class A 15 according to EN 124
- Frame and cover from concrete
- Clear opening Ø 600 mm
- Raising tube from polyethylene



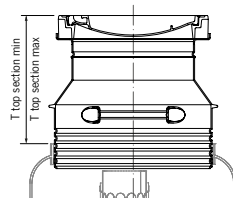
Order information

T top section (min-max) *	Manhole cover	Sludge removals / Oil separators / Technical filters	
		Weight	Item number
[mm]	[mm]	[kg]	
520-640	Ø 600	97	3301.34.11
520-1090	Ø 600	103	3301.34.12
520-1690	Ø 600	113	3301.34.13

Top section 2 - load class B 125 / DN 600

ACO Product benefits

- Load class B 125 according to EN 124
- BEGU cover
- Clear opening Ø 600 mm
- Raising tube from polyethylene



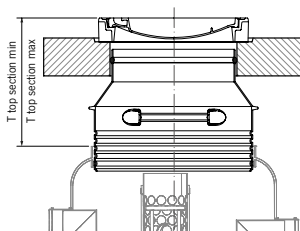
Order information

T top section (min-max) *	Manhole cover	Sludge removals / Oil separators / Technical filters	
		Weight	Item number
[mm]	[mm]	[kg]	
550-670	Ø 600	115	3301.35.11
550-1120	Ø 600	123	3301.35.12
550-1720	Ø 600	134	3301.35.13

Top section 3 - load class D 400 / DN 600

ACO Product benefits

- Load class D 400 according to EN 124
- BEGU cover
- Clear opening Ø 600 mm
- Raising tube from polyethylene
- Selectively with load distribution plate from concrete



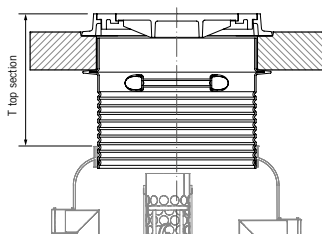
Order information

T top section (min-max) *	Manhole cover	Sludge removals / Oil separators / Technical filters	
		Weight	Item number
[mm]	[mm]	[kg]	
550-655	Ø 600	846	3300.36.08
550-1130	Ø 600	854	3300.36.09
550-1730	Ø 600	866	3300.36.10
550-655 (without load distribution plate)	Ø 600	186	3300.37.08
550-1130 (without load distribution plate)	Ø 600	194	3300.37.09
550-1730 (without load distribution plate)	Ø 600	198	3300.37.10

Top section 4 - load class D 400 / DN 800

ACO Product benefits

- Load class D 400 according to EN 124
- Cover from cast iron
- Clear opening Ø 800 mm
- Raising tube from polyethylene
- Selectively with load distribution plate from concrete



Order information

T top section (min) *	Manhole cover	Sludge removals / Oil separators / Technical filters	
		Weight [kg]	Item number
[mm]	[mm]		
505-715	Ø 800	1161	418951
500-1645	Ø 800	1194	418906
525-735 (without load distribution plate)	Ø 800	261	418950
500-1645 (without load distribution plate)	Ø 800	272	418905

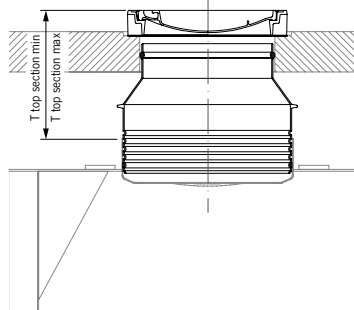
Top Sections

Top section 5 - load class D 400 / DN 600

Order information

ACO Product benefits

- Load class B 125 and D 400 according to EN 124
- BEGU cover
- Clear opening Ø 600 mm
- Raising tube from polyethylene
- Selectively with load distribution plate from concrete



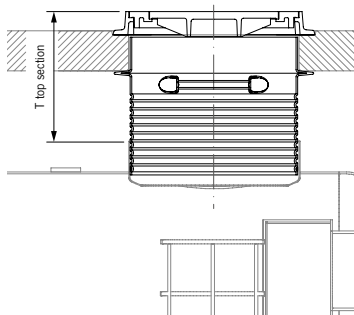
T top section (min-max) * [mm]	Manhole cover [mm]	Horizontal tanks:	
		Sludge removals / Oil separators / Technical filters Weight [kg]	Item number
550-655 (without load distribution plate)	Ø 600	186	3301.37.08
550-1130 (without load distribution plate)	Ø 600	194	3301.37.09
550-1730 (without load distribution plate)	Ø 600	198	3301.37.10

Top section 6 - load class D 400 / DN 800

Order information

ACO Product benefits

- Load class B 125 and D 400 according to EN 124
- Cover from cast iron
- Clear opening Ø 800 mm
- Raising tube from polyethylene
- Selectively with load distribution plate from concrete



T top section (min-max) * [mm]	Manhole cover [mm]	Horizontal tanks:	
		Sludge removals / Oil separators / Technical filters Weight [kg]	Item number
525-735 (without load distribution plate)	Ø 800	261	418950
500-1645 (without load distribution plate)	Ø 800	272	418905

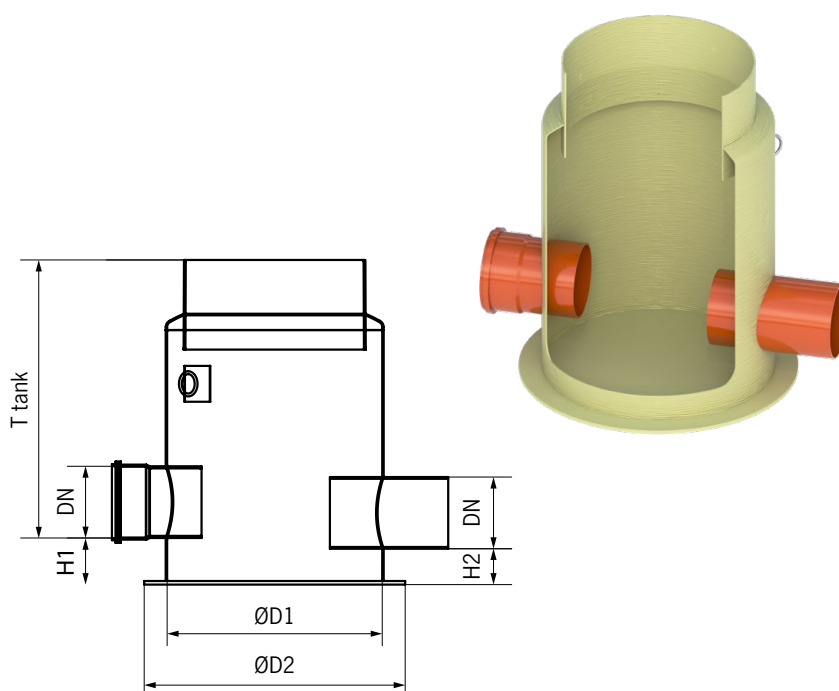
Solution for deeper installation on request.

Sample unit

Product information

ACO Product benefits

- Option for drainage of large areas in combination with traditional separator technology
 - Space efficient
-
- Tank made of glass reinforced plastic
 - One-piece construction



Order information

OD/DN [mm]	Inlet / Outlet Difference [mm]	Weight [kg]	Dimension				Item number	
			H1 [mm]	H2 [mm]	ØD1 [mm]	ØD2 [mm]		
160	30	60	150	120	600	728	755	12900.01
200	30	60	130	100	600	728	775	12901.01
250	30	62	105	75	600	728	800	12902.01
315	30	63	80	50	600	728	825	12903.01
400	30	64	80	50	600	728	825	12904.01

Larger diameters on request.

Top Sections for Sample unit

Top section 7 - load class B 125 / DN 450

ACO Product benefits

- Load class B 125 according to EN 124
- Cover from cast iron / D 450
- Clear opening Ø 450 mm
- Raising tube from polyethylene



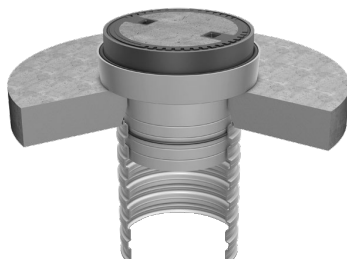
Order information

T top section (min-max) *	Manhole cover	Grease & Light Oil	
		Weight	Item number
[mm]	[mm]	[kg]	
205-880 (without load distribution plate)	Ø 450	126	12908.01

Top section 8 - load class D 400 / DN 450

ACO Product benefits

- Load class D 400 according to EN 124
- Cover from cast iron / D 450
- Clear opening Ø 450 mm
- Raising tube from polyethylene
- Distribution concrete plate



Order information

T top section (min-max) *	Manhole cover	Grease & Light Oil	
		Weight	Item number
[mm]	[mm]	[kg]	
205-880	Ø 450	556	12909.01

Extension element - DN 450

ACO Product benefits

- Clear opening Ø 450 mm
- Raising tube from polyethylene
- For install aforementioned sampling shaft at a deeper position separators
- Extension height 100 to 650 mm, can be shortened at 45 mm intervals by cutting at the cutting marks





Order information

T top section (min-max) *	Manhole	Grease & Light Oil	
		Weight	Item number
[mm]	[mm]	[kg]	
100-650	Ø 450	12	3300.13.00


Alarm units

Order information

	Product description	Designation	Item number
Light Oil Separator & Sludge Trap			
	Alarm device (OB) <ul style="list-style-type: none"> ■ Monitoring device, 2x cable connections, oil level sensor, overflow sensor ■ 3 kg 	Oil layer thickness and overflow	704794
	Alarm device (O) <ul style="list-style-type: none"> ■ Monitoring device, cable connection, oil level sensor ■ 1,1 kg 	Oil layer thickness	704795
	Alarm device (B) <ul style="list-style-type: none"> ■ Monitoring device, cable connection, overflow sensor ■ 1,1 kg 	Overflow	704796
	Alarm device (OB) + casing	Set	704797
	Casing <ul style="list-style-type: none"> ■ For alarm device (OB, O, B) 	For installation the monitoring device outside an explosion hazard area	701620
	Holder	Complementary for all alarm devices	418153

ACO Belt

Order information

	Product description	Model	Item number
Horizontal Grease & Light Oil Separator & Sludge Trap			
	ACO Belt 75 SS <ul style="list-style-type: none"> ■ Load strap: Polyester ■ Tensioner and hooks: Stainless steel ■ Package includes 2 pcs of anchors T10/150SS ■ Usage for tanks dia \leq 2.57 m 	<ul style="list-style-type: none"> ■ 7,5 m 	2565.225
	ACO Belt 120 SS <ul style="list-style-type: none"> ■ Load strap: Polyester ■ Tensioner and hooks: Stainless steel ■ Package includes 2 pcs of anchors T10/150SS ■ Usage for tanks dia $>$ 2.57 m 	<ul style="list-style-type: none"> ■ 12 m 	2565.270

ACO Industries Tábor s.r.o.

Prumyslova 1158
391 01 Sezimovo Usti
Czech Republic

www.aco.com

ACO. creating the future of drainage

All reasonable care has been taken in compiling the information in this document. All recommendations and suggestions on the use of ACO products are made without guarantee since the conditions of use are beyond the control of the Company. It is the customer's responsibility to ensure that each product is fit for its intended purpose and that the actual conditions of use are suitable. This brochure and any advice is provided free of charge and accordingly on terms that no liability (including liability for negligence) will attach the Company or its servants or agents arising out of or in connection with or in relation to this brochure or any such advice. Any goods supplied by the Company will be supplied solely upon its standard conditions of sale, copies of which are available on request. The Company's policy of continuous product development and improvement renders specifications liable to modification. Information provided in this brochure is therefore subject to change without prior notification.